

# D5000 - D5300

## THREE-TIER PAGODA LIGHT PATH, WALKWAY AND AREA LIGHTING



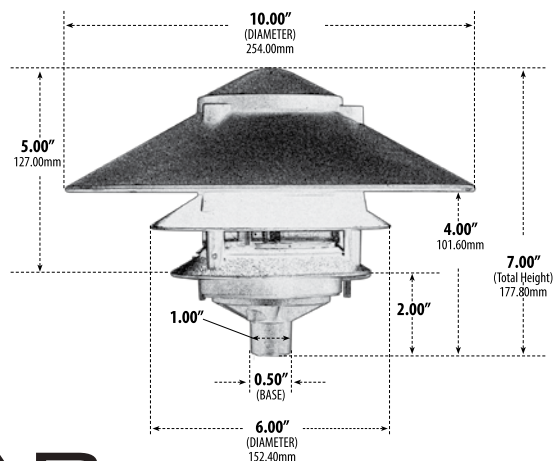
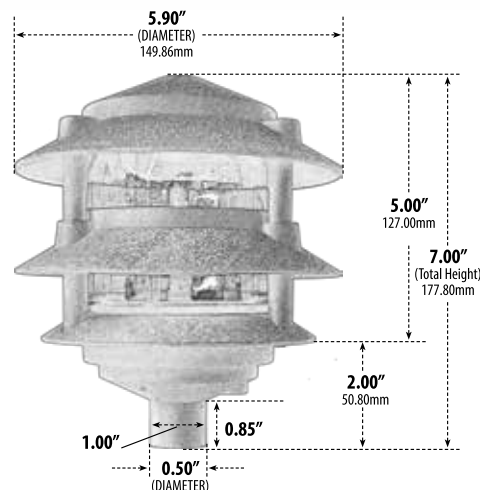
- **Material:** Powder Coated Cast Aluminum
- **Lens:** Clear, Heat Resistant, Tempered Glass

MODEL NUMBER	TOP DIA.	BOTTOM DIA.	LAMP TYPE	ILLUMINANT TYPE	WATTS (W)	VOLTS (V)	LAMP(S) INCLUDED?
D5000	6"	1/2"	A-Type	INCANDESCENT	25	120	NO
D5000-LED4	6"	1/2"	A19-LED	72 LEDs	4	120	YES
D5000-LED6	6"	1/2"	A19-LED	FILAMENT LED	6	120	YES
D5300	10"	1/2"	A-Type	INCANDESCENT	25	120	NO
D5300-LED4	10"	1/2"	A19-LED	72 LEDs	4	120	YES
D5300-LED6	10"	1/2"	A19-LED	FILAMENT LED	6	120	YES
D5305	6"	3"	A-Type	INCANDESCENT	25	120	NO
D5305-LED4	6"	3"	A19-LED	72 LEDs	4	120	YES
D5305-LED6	6"	3"	A19-LED	FILAMENT LED	6	120	YES
D5310	10"	3"	A-Type	INCANDESCENT	25	120	NO
D5310-LED4	10"	3"	A19-LED	72 LEDs	4	120	YES
D5310-LED6	10"	3"	A19-LED	FILAMENT LED	6	120	YES

- **Riser Not Included**
- **1/2" NPT or 3" Base** (Not Available in Bronze)
- **Replacement Glass Lens:** P-GLS-D5000 (sold separately)
- **Available Finish:** Black, Bronze, Green, Verde Green
- **ETL Approved**

Overall Dimensions:  
7.00"H x 6.00"W x 6.00"D

Weight: 1.60 lbs  
Approximate Wire Length: 11"  
Pagoda Head Only  
(No Stem or Ground Spike  
Included)  
Box Dimensions:  
8.00"H x 6.00"W x 6.25"D



**DABMAR**  
LIGHTING

DABMAR LIGHTING INCORPORATED

320 Graves Ave . Oxnard, CA 93030 . 805.604.9090 . f: 805.604.9050 . www.dabmar.com