

# D820-LED60

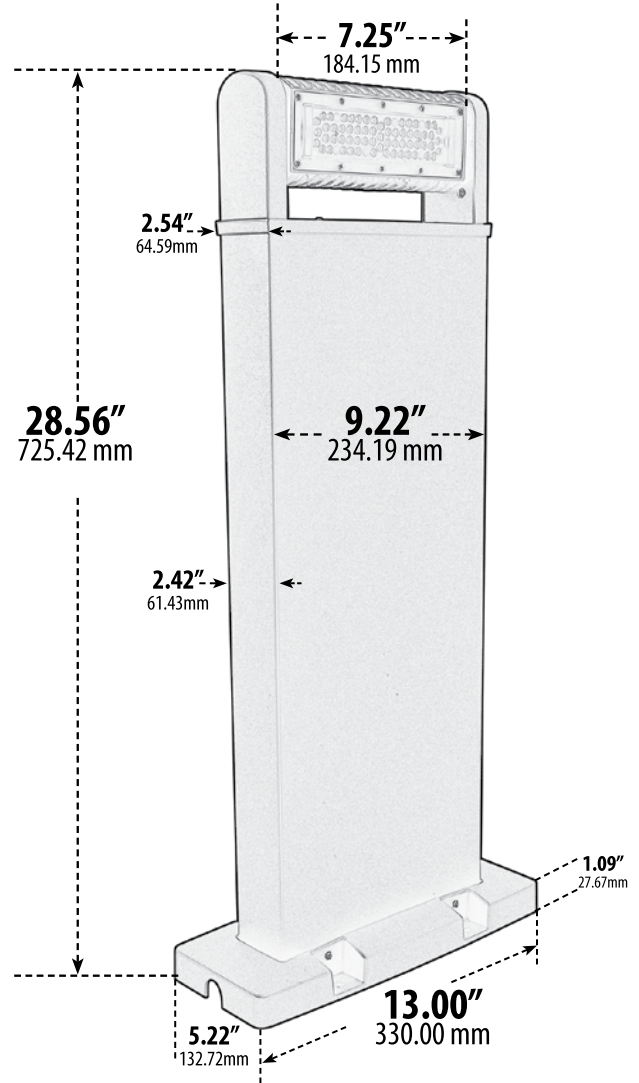
## PATH, WALKWAY, DRIVEWAY and ENTRANCE AREA BOLLARD



Overall Dimensions:  
13.00"W x 28.56"H x 5.22"D

Maximum Height: 28.56"  
Width: 13.00"  
Maximum Depth: 5.22"

Weight: 9lbs 14oz (FIXTURE), 15lbs 5oz (w/BOX)  
Box Dimensions: 30.00"L x 11.88"W x 6.00"H



- ▶ **Material:** Powder Coated Cast Aluminum
- ▶ **Lens:** Clear, Heat Resistant, PC Diffuser
- ▶ **Available Finish:** Black, Bronze, Verde Green
- ▶ **Lumens:** 7500Lm
- ▶ **Color Temperature:** 4000K
- ▶ **UL Approval Pending**
- ▶ **Adjustable Tilting Head**

| MODEL NUMBER | LAMP TYPE | ILLUMINANT TYPE | WATTS (W) | VOLTS (V) | LAMP(S) INCLUDED? |
|--------------|-----------|-----------------|-----------|-----------|-------------------|
| D820-LED60   | LED BOARD | 63 LEDs         | 60        | 100-277   | YES               |

**DABMAR**  
LIGHTING

DABMAR LIGHTING INCORPORATED

2140 Eastman Ave . Oxnard, CA 93030 . 805.604.9090 . f: 805.604.9050 . www.dabmar.com