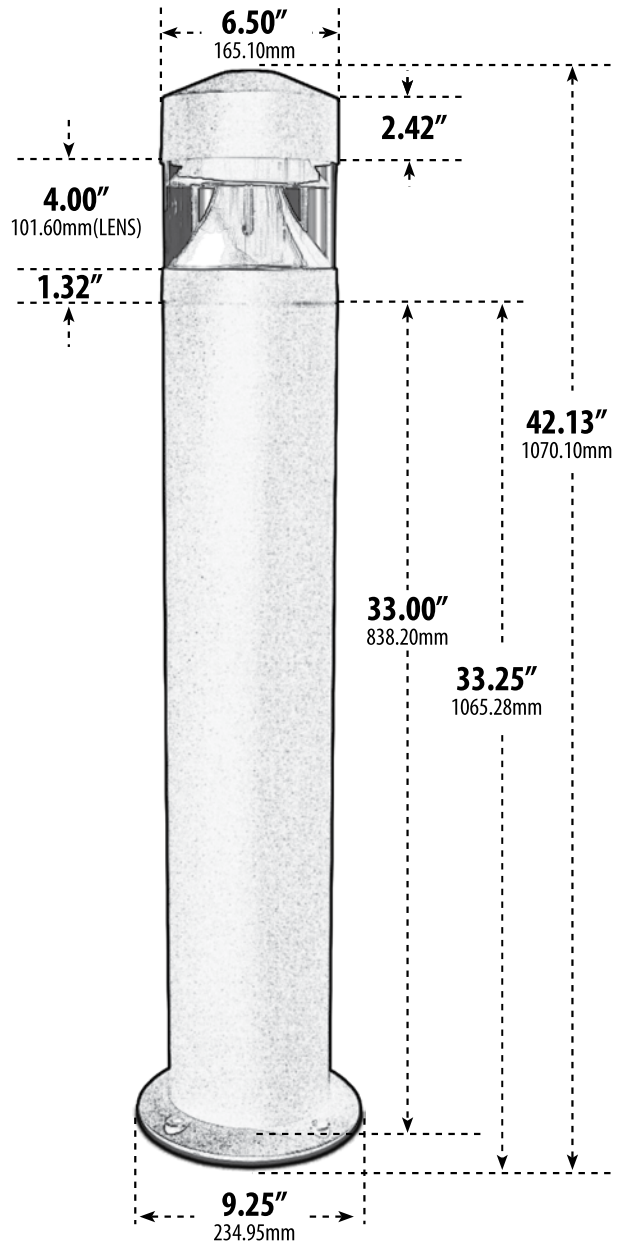


# D850

PATH, WALKWAY, DRIVEWAY and ENTRANCE AREA BOLLARD

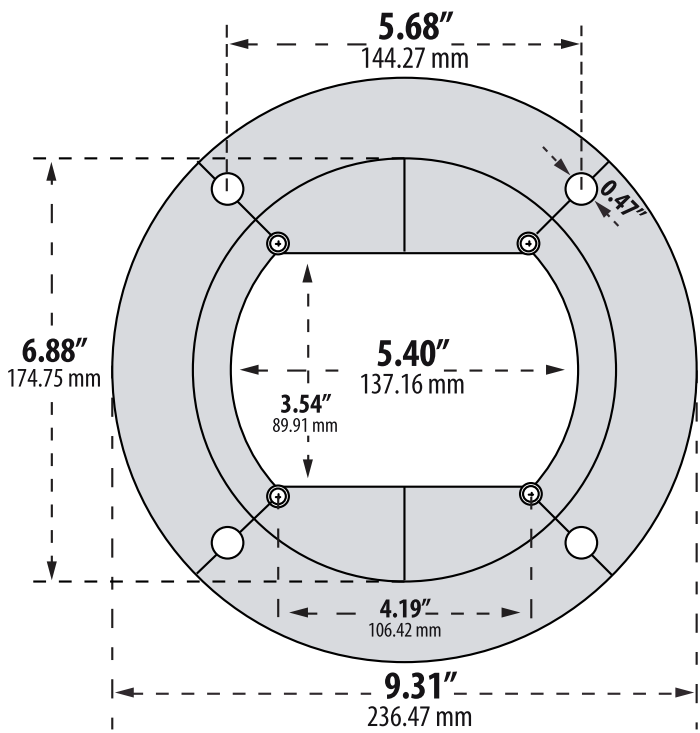


- ▶ **Material:** Powder Coated Cast Aluminum
- ▶ **Lens:** Clear, Heat Resistant, Acrylic Lens
- ▶ **Available Finish:** Black, Bronze, Verde Green
- ▶ **ETL Approved**

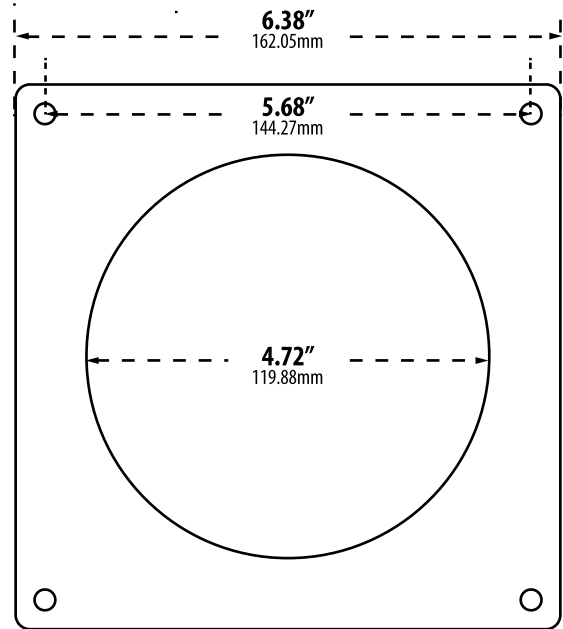
**DABMAR**  
LIGHTING

DABMAR LIGHTING INCORPORATED

320 Graves Ave . Oxnard, CA 93030 . 805.604.9090 . f: 805.604.9050 . www.dabmar.com  
4693 19th Street Ct E . Bradenton, FL 34203



**BASE PATTERN**



**TEMPLATE PATTERN**

**MOUNTING BOLT**



Model Number	Illuminant Type	Base Type	Wattage (W)	Volatage (V)	Color Temp.	Lamp(s) Included
D850	Incandescent	E26	60W (MAX)	120V	N/A	No
D850-L6-30K	LED	E26	6W	120V	30K	Yes
D850-L6-60K	LED	E26	6W	120V	60K	Yes
D850-L6-RGBW	LED	E26	6W	86V-265V	RGBW	Yes
D850-L9-27K	LED	GU24	9W	120V	27K	Yes
D850-L9-40K	LED	GU24	9W	120V	40K	Yes
D850-L12-30K	LED	G24	12W	120V-277V	30K	Yes
D850-L12-50K	LED	G24	12W	120V-277V	50K	Yes
D850-L20-30K	LED	G24	20W	120V-277V	30K	Yes
D850-L20-50K	LED	G24	20W	120V-277V	50K	Yes

Overall Dimensions:  
9.25"W x 41.88"H x 9.25"D

Maximum Height: 41.88"  
Width: 9.25"  
Maximum Depth: 9.25"

Weight: 11.50 lbs  
Box Dimensions: 6.81"W x 42.50"H x 7.00"D

**Available Finish:** Black, Bronze, Verde Green



**DABMAR LIGHTING INCORPORATED**

320 Graves Ave . Oxnard, CA 93030 . 805.604.9090 . f: 805.604.9050 . www.dabmar.com  
4693 19th Street Ct E . Bradenton, FL 34203