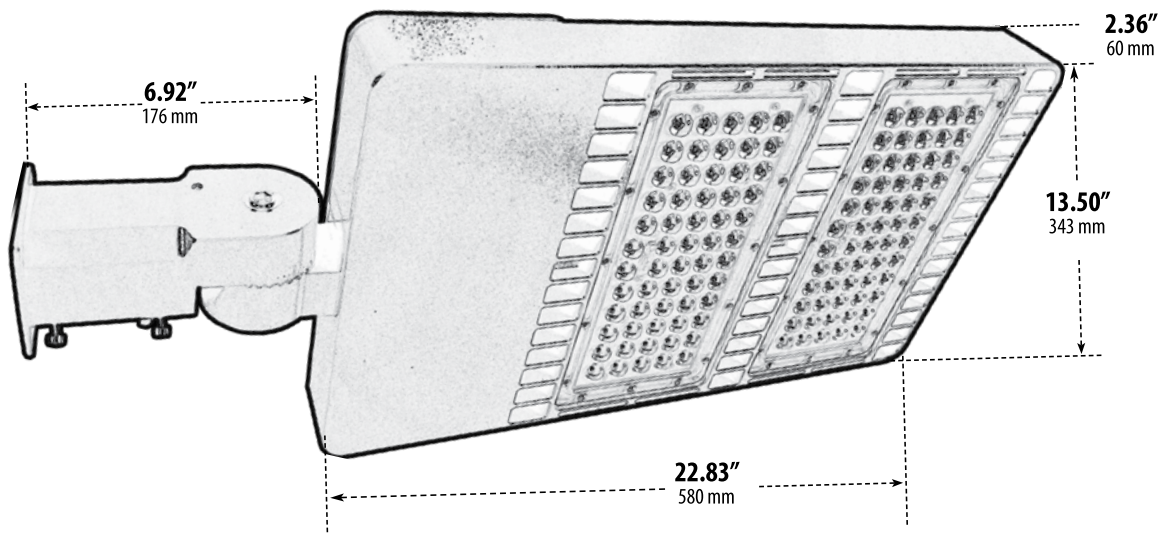


DF-LED7770

POST TOP FIXTURE



- **Material:** Powder Coated Cast Aluminum
- **Lens:** Clear, Polycarbonate
- **Available Finish:** Black, Verde Green
- **Color Temperature:** 5000K
- **Lumens:** 28500 Lm
- **Life Expectancy:** 50,000 Hrs
- **ETL and DLC Approved**

MODEL NUMBER	LAMP TYPE	ILLUMINANT TYPE	WATTS (W)	VOLTS (V)	LAMP(S) INCLUDED?
DF-LED7770	2 x 60 LEDs	LED BOARD	300	120-277	YES

Overall Dimensions:
22.88"H x 16.88"W x 6.63"D

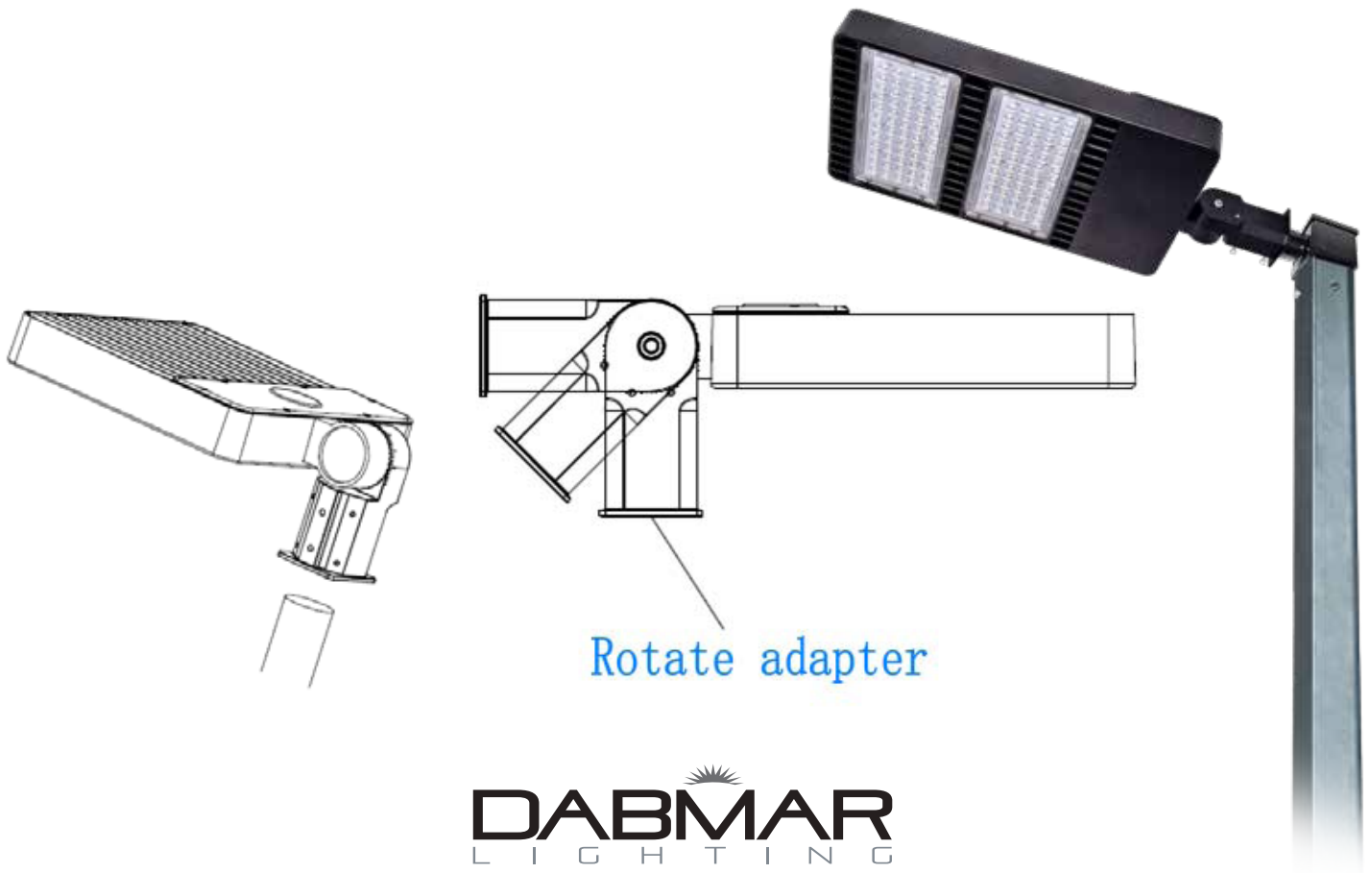
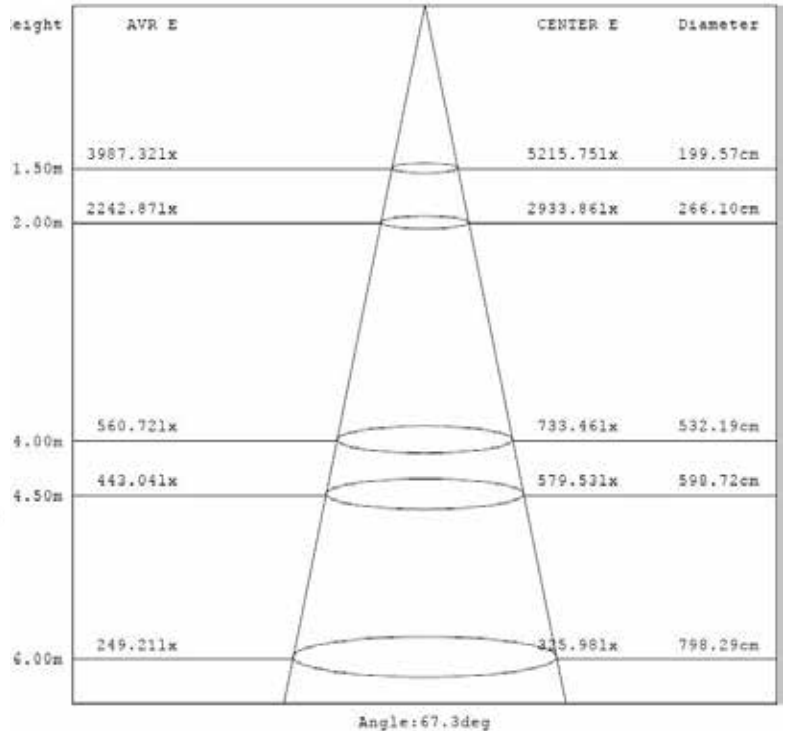
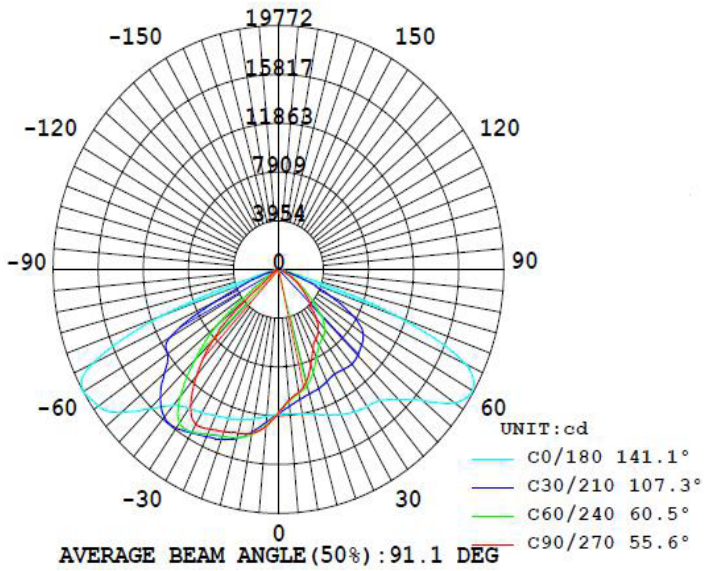
Weight: 23.2 lbs

Approximate Wire Length: N/A

Box Dimensions: 15.75"H x 32.28"W x 7.08"D



DF-LED7770



DABMAR
LIGHTING

DABMAR LIGHTING INCORPORATED

2140 Eastman Ave . Oxnard, CA 93030 . 805.604.9090 . f: 805.604.9050 . www.dabmar.com