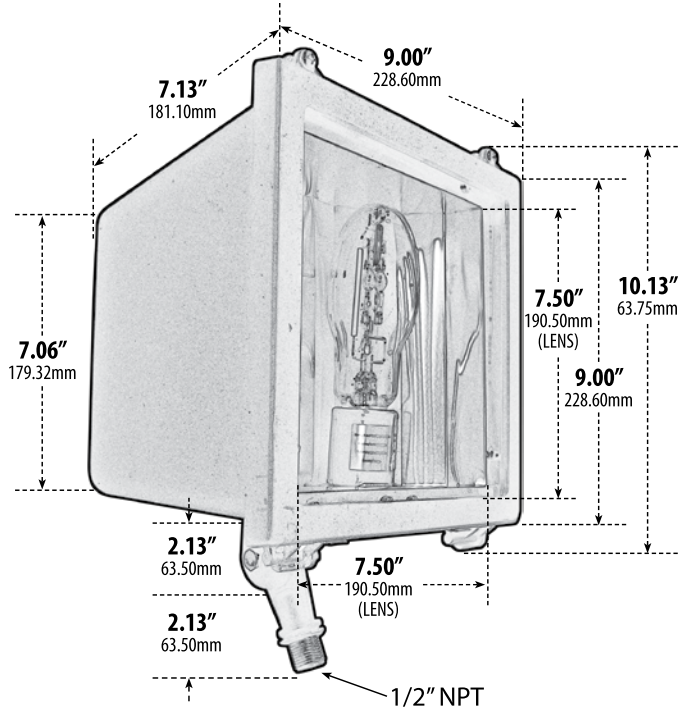


DF5500

MEDIUM FLOOD FIXTURE



- ▶ **Material:** Powder Coated Cast Aluminum
- ▶ **Lens:** Clear, Heat Resistant, Tempered Glass Lens
- ▶ **Available Finish:** Bronze
- ▶ **ETL Approved**

Overall Dimensions:
11.00"H x 9.00"W x 7.63"D

Maximum Height: 12.75"
Minimum Height: 11.00"
Width: 8.13"
Maximum Depth: 7.63"
Minimum Depth: 7.63"

Weight: 5.2 lbs
Approximate Wire Length: N/A
Box Dimensions: 7.69"H x 11.63"W x 9.50"D

MODEL NUMBER	LAMP TYPE	ILLUMINANT TYPE	WATTS (W)	VOLTS (V)	LAMP(S) INCLUDED?
DF5500	HID	HPS	35	120	YES
DF5550	HID	HPS	50	120	YES
DF5550-MT	HID	HPS	50	MT	YES
DF5570	HID	HPS	70	120	YES
DF5570-MT	HID	HPS	70	MT	YES
DF5700	HID	HPS	100	120	YES
DF5700-MT	HID	HPS	100	MT	YES
DF5750	HID	HPS	150	120	YES
DF5750-MT	HID	HPS	150	MT	YES
DF5755	HID	MH	50	120	YES
DF5755-MT	HID	MH	50	MT	YES
DF5760	HID	MH	70	120	YES
DF5760-MT	HID	MH	70	MT	YES
DF5770	HID	MH	100	120	YES
DF5770-MT	HID	MH	100	MT	YES
DF5772	HID	MH	150	120	YES
DF5772-MT	HID	MH	150	MT	YES
DF5775	HID	MH	175	120	YES
DF5775-MT	HID	MH	175	MT	YES

Photo Control Option Available (sold separately)

Optional Spike Available: LV-S6-B (sold separately)

DABMAR
LIGHTING

DABMAR LIGHTING INCORPORATED

320 Graves Ave . Oxnard, CA 93030 . 805.604.9090 . f: 805.604.9050 . www.dabmar.com
4693 19th Street Ct E . Bradenton, FL 34203