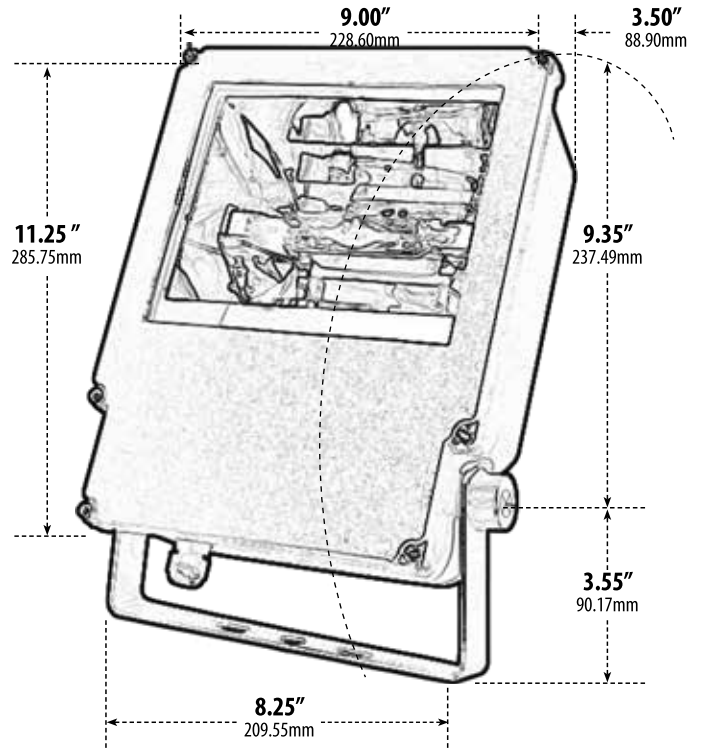


DF6590

MEDIUM HID FLOOD FIXTURE



- ▶ **Material:** Powder Coated Cast Aluminum
- ▶ **Lens:** Clear, Heat Resistant, Tempered Glass Lens
- ▶ **Available Finish:** Black, Bronze
- ▶ **ETL Approved**

Overall Dimensions:
12.90"H x 9.00"W x 3.50"D

Weight: 4.2 lbs
Approximate Wire Length: N/A
Box Dimensions: 4.50"H x 13.50"W x 9.50"D

MODEL NUMBER	LAMP TYPE	ILLUMINANT TYPE	WATTS (W)	VOLTS (V)	LAMP(S) INCLUDED?
DF6590	HID	HPS/DE	35	120	YES
DF6591	HID	HPS/DE	50	120	YES
DF6592	HID	HPS/DE	70	120	YES
DF6595	HID	MH/DE	50	120-277	YES
DF6596	HID	MH/DE	70	120-277	YES

Photo Control Option Available (sold separately)

DABMAR
LIGHTING

DABMAR LIGHTING INCORPORATED

320 Graves Ave . Oxnard, CA 93030 . 805.604.9090 . f: 805.604.9050 . www.dabmar.com
4693 19th Street Ct E . Bradenton, FL 34203