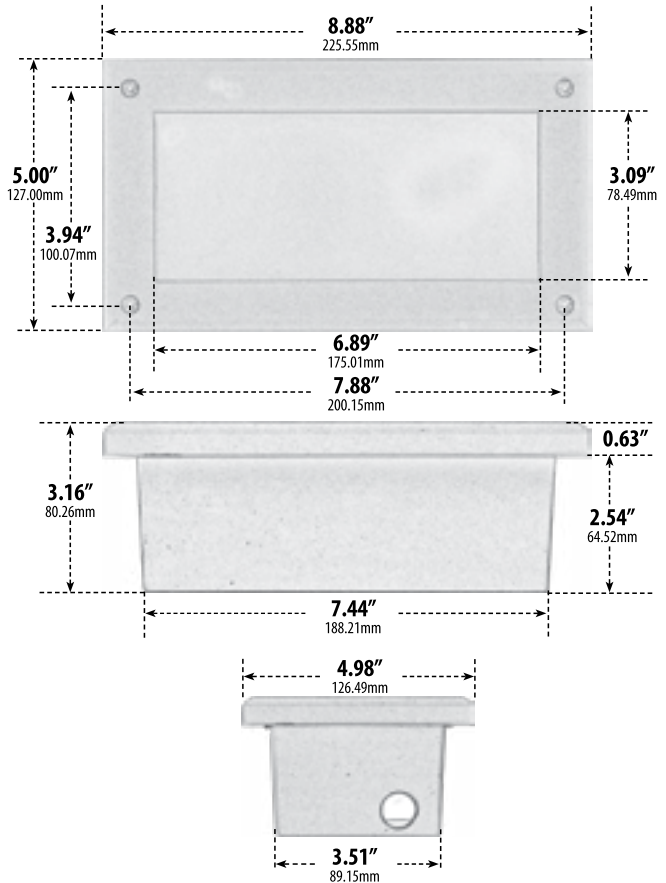


# DSL1001

## RECESSED OPEN FACE BRICK, STEP AND WALL LIGHT



- ▶ **Material:** Powder Coated Cast Aluminum
- ▶ **Lens:** Frosted, Heat Resistant, Tempered Glass

MODEL NUMBER	LAMP TYPE	ILLUMINANT TYPE	WATTS (W)	VOLTS (V)	LAMP(S) INCLUDED?
DSL1001	T10	INCANDESCENT	40	120	NO
DSL1001-LED5	PL-LED	LED	5	85-264	YES
DSL1001-LED7	G24-LED	TUBULAR LED	7	85-265	YES
DSL1001-LED9	G24-LED	TUBULAR LED	9	85-265	YES
DSL1005	PL5	FLUORESCENT	5	120	YES
DSL1007	PL7	FLUORESCENT	7	120	YES
DSL1009	PL9	FLUORESCENT	9	120	YES
DSL1013	PLQ13	FLUORESCENT	13	120	YES
DSL1018	S13-GU24	FLUORESCENT	13	120	YES
DSL1091	G24-LED	100 LEDs	12	120-277	YES

- ▶ **Available Finish:** Black, Bronze, Electroplated Stainless Steel, *Stainless Steel 304*, Verde Green, White
- ▶ **Recessed Mount**
- ▶ **Replacement Cover Plate:** P-CVR-DSL1001 (sold separately)
- ▶ **ETL Approved**

LED Available in Warm or Cool White

DSL1001: 1.40 lbs Incandescent (no lamp included)  
 DSL1005: 2.20 lbs  
 DSL1007: 2.20 lbs  
 DSL1009: 2.20 lbs  
 DSL1013: 2.20 lbs  
 DSL1018: 2.20 lbs  
 DSL1091: 2.20 lbs

Overall Dimensions:  
 5.00"H x 8.90"W x 3.15"D

Wire Length: 15.50"  
 Box Dimensions: 5.00"H x 9.00"W x 4.63"D

**DABMAR**  
 LIGHTING

DABMAR LIGHTING INCORPORATED

320 Graves Ave . Oxnard, CA 93030 . 805.604.9090 . f: 805.604.9050 . www.dabmar.com  
 4693 19th Street Ct E . Bradenton, FL 34203