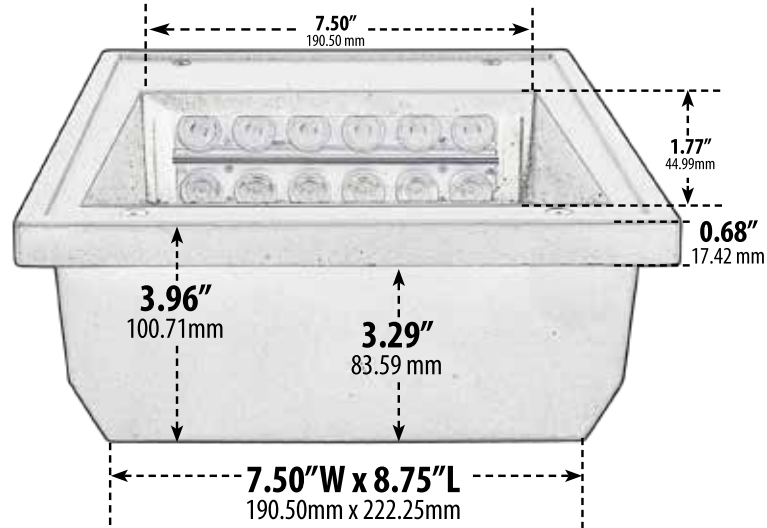
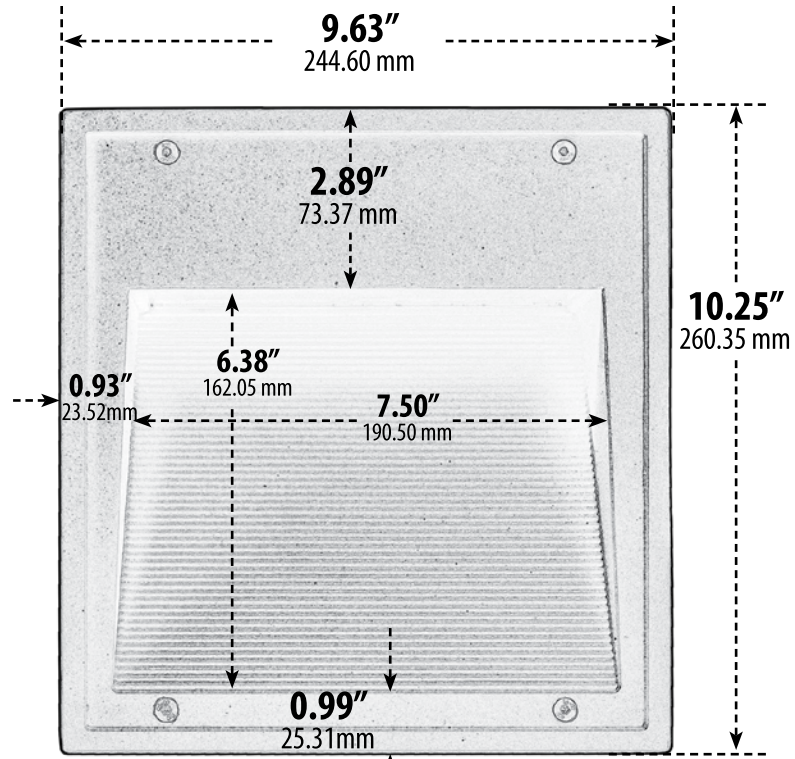


DSL1130-LED16

RECESSED BRICK, STEP AND WALL LIGHT



- ▶ **Material:** Powder Coated Cast Aluminum
- ▶ **Lens:** Clear, Heat Resistant, Tempered Glass

MODEL NUMBER	LAMP TYPE	ILLUMINANT TYPE	WATTS (W)	VOLTS (V)	LAMP(S) INCLUDED?
DSL1130-LED16	INTEGRATED LED	LED	16	100-277	YES

- ▶ **Available Finish:** Black, Verde Green
- ▶ **Color Temperature:** 4000K
- ▶ **Recessed Mount**
- ▶ **ETL Approval Pending**

Overall Dimensions: 10.25"H x 9.63"W x 3.96"D
 Weight: 8.12 lbs (w/mounting sleeve)
 Weight: 4.15 lbs
 Box Dimensions:
 Fixture Interior: Ribbed

Mounting Box Sleeve (Included)
 9.00" W x 9.50" H x 5.33H



DABMAR LIGHTING INCORPORATED

320 Graves Ave . Oxnard, CA 93030 . 805.604.9090 . f: 805.604.9050 . www.dabmar.com