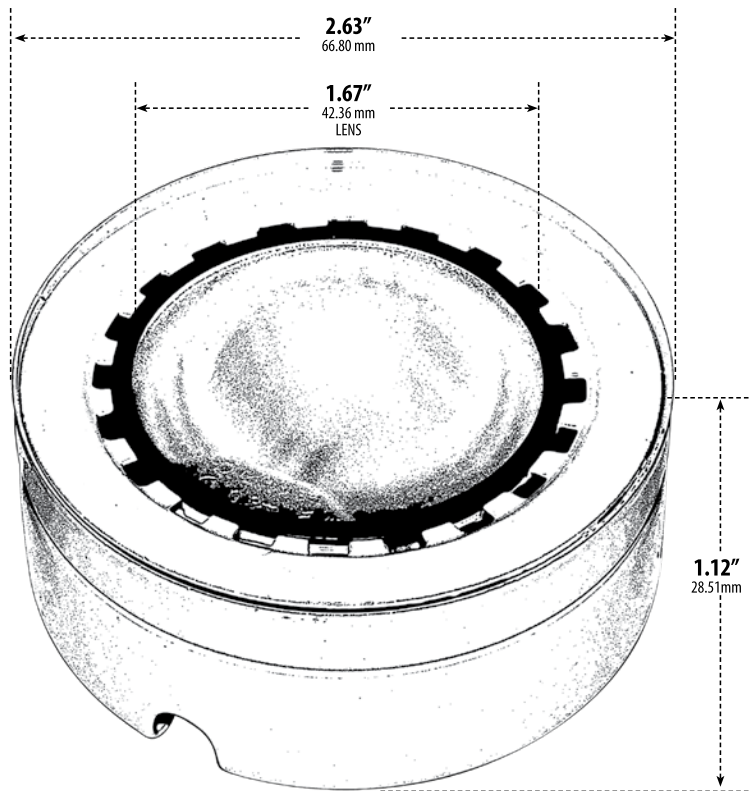


DW09

UNDERCABINET SINGLE DOWN LIGHT



Overall Dimensions:
1.12"W x 2.63"H x 2.63"D

Weight: 3.7oz.
Approximate Wire Length: 7.75"
Box Dimensions: 3.13"W x 3.13"H x 2.13"D

- **Material:** Powder Coated Cast Aluminum
- **Lens:** Frosted, Polycarbonate Lens
- **Available Finish:** Black, White
- **ETL Approved**

MODEL NUMBER	LAMP TYPE	ILLUMINANT TYPE	WATTS (W)	VOLTS (V)	LAMP(S) INCLUDED?
DW09	JC	HALOGEN	20	12	YES

DABMAR
LIGHTING

DABMAR LIGHTING INCORPORATED

320 Graves Ave . Oxnard, CA 93030 . 805.604.9090 . f: 805.604.9050 . www.dabmar.com