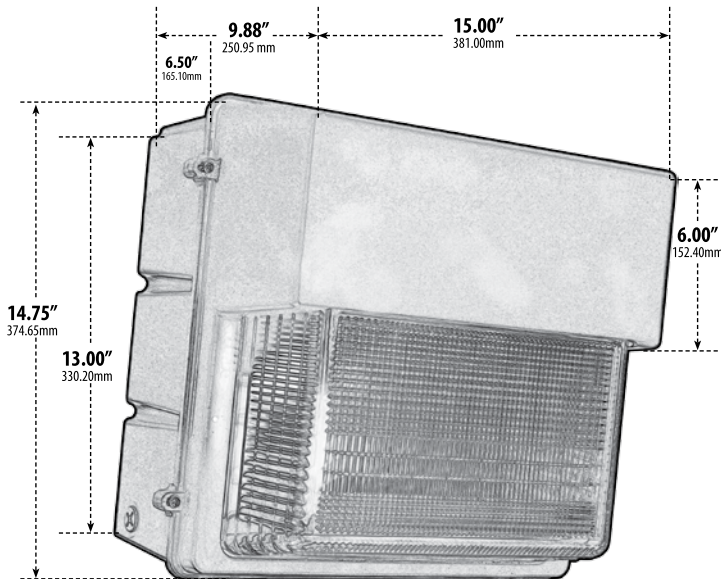


DW1850

LARGE WALL PACK FIXTURE



WALL-MOUNT BACK SIDE: 13.00"H x 13.25"W

- ▶ **Material:** Powder Coated Cast Aluminum
- ▶ **Lens:** Clear, Prismatic, Heat Resistant, Glass Lens
- ▶ **Available Finish:** Bronze
- ▶ **ETL Approved**

MODEL NUMBER	LAMP TYPE	ILLUMINANT TYPE	WATTS (W)	VOLTS (V)	LAMP(S) INCLUDED?
DW1850-MT	HID	HPS	250	MT	YES
DW1851-MT	HID	HPS	400	MT	YES
DW1852-MT	HID	MH	250	MT	YES
DW1853-MT	HID	MH	400	MT	YES

Overall Dimensions:
15.00"W x 14.75"H x 9.88"D
Weight: 15.82 lbs.

Box Dimensions: 17.13"W x 12.50"H x 16.75"D

DABMAR
LIGHTING

DABMAR LIGHTING INCORPORATED

2140 Eastman Ave . Oxnard, CA 93030 . 805.604.9090 . f: 805.604.9050 . www.dabmar.com