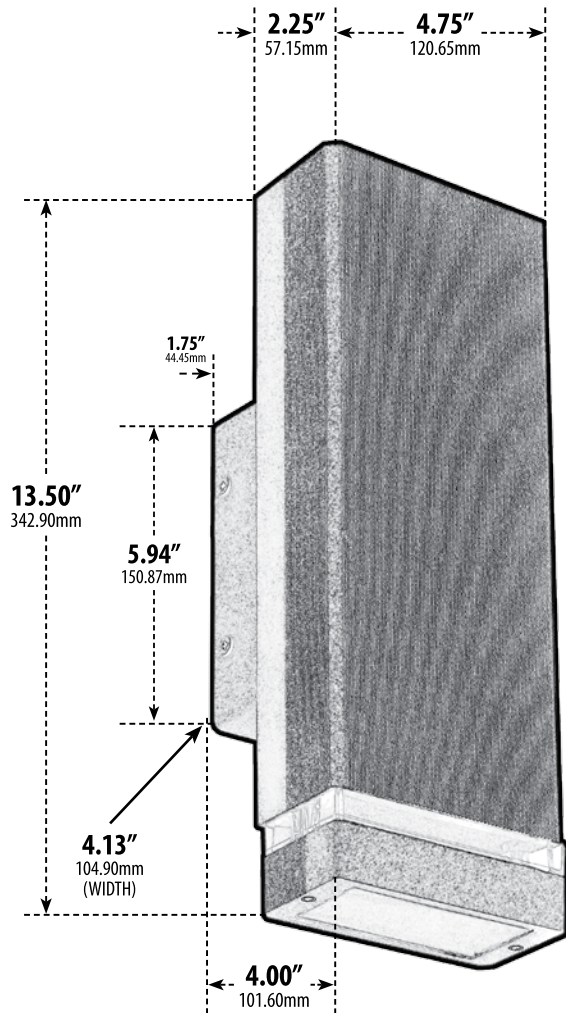


DW3570

DOWN LIGHT WALL FIXTURE



- ▶ **Material:** Powder Coated Cast Aluminum
- ▶ **Lens:** Clear, Heat Resistant, Polycarbonate Lens
- ▶ **Available Finish:** Black, Bronze, Gray, White, Verde Green
- ▶ **Energy Star Fixture**
- ▶ **ETL Approved**

MODEL NUMBER	LAMP TYPE	ILLUMINANT TYPE	WATTS (W)	VOLTS (V)	LAMP(S) INCLUDED?
DW3570	S13-GU24	Fluorescent	13	120	YES

Overall Dimensions:
13.50"H x 4.75"W x 4.00"D

Weight: 2.8 lbs
Approximate Wire Length: 7"
Box Dimensions: 12.75"H x 4.63"W x 5.25"D



DABMAR
LIGHTING

DABMAR LIGHTING INCORPORATED

2140 Eastman Ave . Oxnard, CA 93030 . 805.604.9090 . f: 805.604.9050 . www.dabmar.com