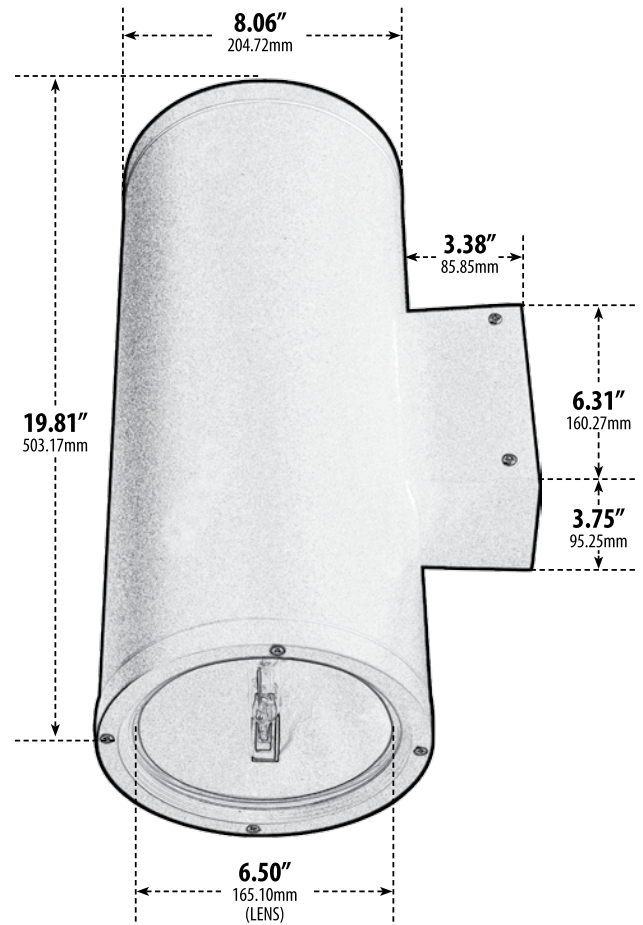


# DW3700

## UP AND DOWN LIGHT WALL FIXTURE



- **Material:** Powder Coated Cast Aluminum
- **Lens:** Clear, Heat Resistant, Tempered Glass
- **Available Finish:** Black, Bronze, Verde Green, White
- **ETL Approved**

MODEL NUMBER	LAMP TYPE	ILLUMINANT TYPE	WATTS (W)	VOLTS (V)	LAMP(S) INCLUDED?
DW3700	HID	MH/DE	2 x 70	120	YES
DW3750	HID	MH/DE	70	120	YES

Lamp Color Options Available (See page 103)

Overall Dimensions:  
8.06"W x 19.81"H x 11.44"D

Maximum Height: 19.81"  
Width: 8.06"  
Maximum Depth: 11.44"

Weight: 10.4 lbs  
Approximate Wire Length: N/A  
Box Dimensions: 12.00"W x 22.19"H x 8.63"D

**DABMAR**  
LIGHTING

DABMAR LIGHTING INCORPORATED

2140 Eastman Ave . Oxnard, CA 93030 . 805.604.9090 . f: 805.604.9050 . www.dabmar.com