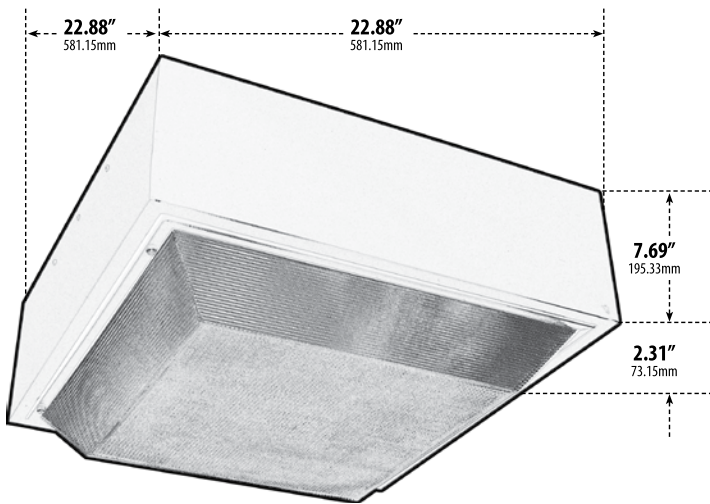


DW9200

LARGE CEILING FIXTURE



- ▶ **Material:** Powder Coated Cast Aluminum
- ▶ **Lens:** Clear, Prismatic, Polycarbonate Lens
- ▶ **Available Finish:** Bronze, White
- ▶ **ETL Approved**

MODEL NUMBER	LAMP TYPE	ILLUMINANT TYPE	WATTS (W)	VOLTS (V)	LAMP(S) INCLUDED?
DW9200-MT	HID	MH/MOG	250	MT	YES
DW9240-MT	HID	MH/MOG	400	MT	YES
DW9250-MT	HID	HPS/MOG	250	MT	YES
DW9260-MT	HID	HPS/MOG	400	MT	YES

Overall Dimensions:
22.88"H x 22.88"W x 10.00"D

Weight: 21.8lbs
Box Dimensions: 24.00"W x 24.00"H x 10.25"D

DABMAR
LIGHTING

DABMAR LIGHTING INCORPORATED

320 Graves Ave . Oxnard, CA 93030 . 805.604.9090 . f: 805.604.9050 . www.dabmar.com