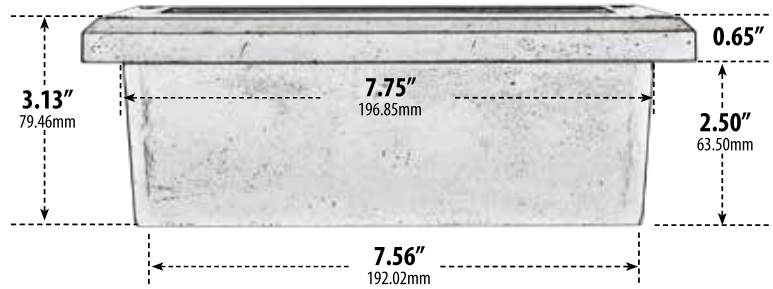
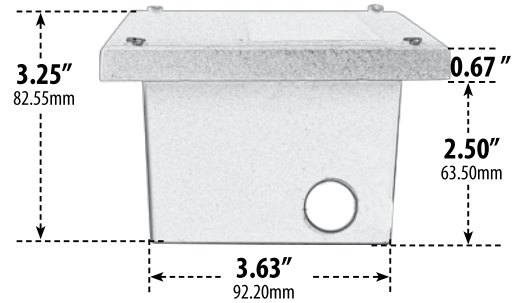
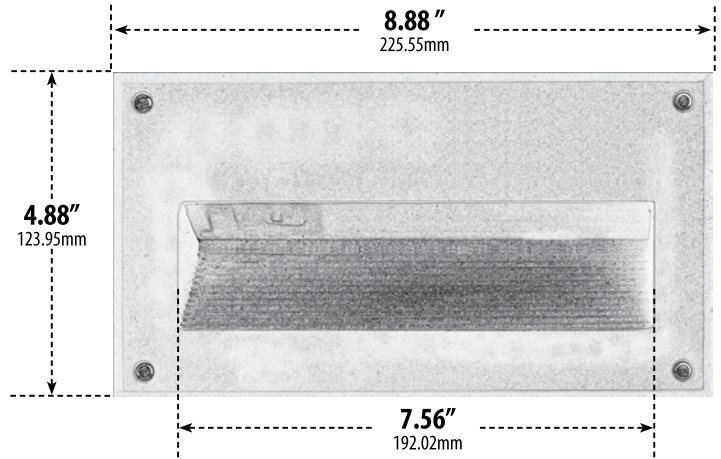


FG2020

RECESSED BRICK, STEP AND WALL LIGHT



- ▶ **Material:** Fiberglass
- ▶ **Lens:** Frosted, Heat Resistant, Tempered Glass

MODEL NUMBER	LAMP TYPE	ILLUMINANT TYPE	WATTS (W)	VOLTS (V)	LAMP(S) INCLUDED?
FG2020	T10	INCANDESCENT	40	120	NO
FG2020-LED5	PL-LED	LED	5	85-264	YES
FG2020-LED7	G24-LED	TUBULAR LED	7	85-265	YES
FG2020-LED9	G24-LED	TUBULAR LED	9	85-265	YES
FG2021	PL5	FLUORESCENT	5	120	YES
FG2022	PL7	FLUORESCENT	7	120	YES
FG2023	PL9	FLUORESCENT	9	120	YES
FG2024	PLQ13	FLUORESCENT	13	120	YES

- ▶ **Available Finish:** Black, Bronze, White
- ▶ **Recessed Mount**
- ▶ **Replacement Cover Plate:** P-CVR-FG2020 (sold separately)
- ▶ **ETL Approved**

LED Available in Warm or Cool White

***Resist Corrosion-Ocean Front Placement**

Overall Dimensions:
4.88"H x 8.88"W x 3.25"D

Weight: 1.60 lbs
Approximate Wire Length: N/A
Box Dimensions:
3.88"H x 9.00"W x 5.00"D

DABMAR
LIGHTING

DABMAR LIGHTING INCORPORATED

320 Graves Ave . Oxnard, CA 93030 . 805.604.9090 . f: 805.604.9050 . www.dabmar.com
4693 19th Street Ct E . Bradenton, FL 34203