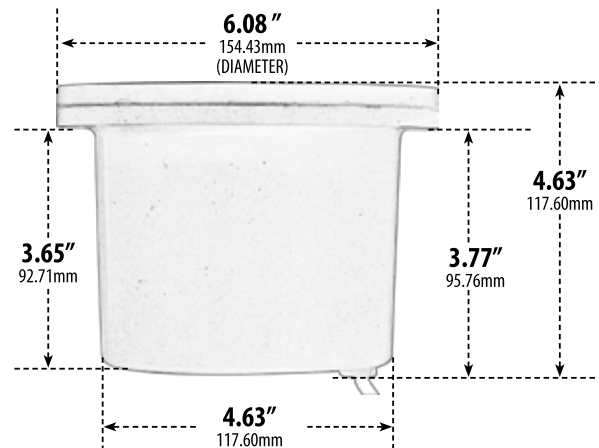
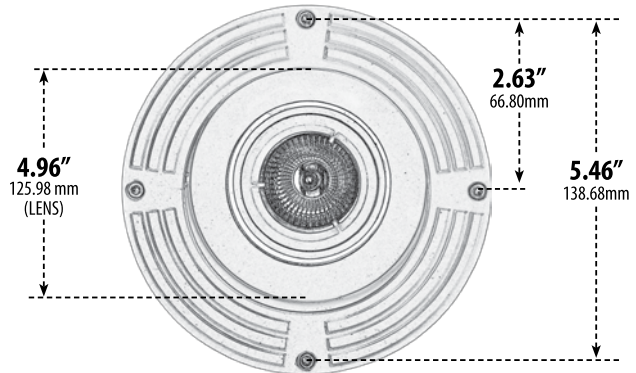


FG316-MR

ADJUSTABLE IN-GROUND WELL LIGHT



- ▶ **Material:** Fiberglass
- ▶ **Lens:** Clear, Heat Resistant, Tempered Glass
- ▶ **Lamp:** MR16 (50W Maximum) Available in 27K or 65K

MODEL NUMBER	LAMP TYPE	ILLUMINANT TYPE	WATTS (W)	VOLTS (V)	LAMP(S) INCLUDED?
FG316	MR16	HALOGEN	20	12	YES
FG316-MR-LED3	MR16-LED	LED	3	12	YES
FG316-MR-LED5	MR16-LED	LED	5	12	YES
FG316-MR-LED7	MR16-LED	LED	7	12	YES
FG316-MR-LED4-RGBW	MR16-LED	LED	4	12	YES

Pre-wired with UL Listed Direct Burial Wire/Cable

- ▶ **Installation Type:** Rated for In-Ground Soil and Concrete Applications
- ▶ **Available Finish:** Bronze
- ▶ **RGBW Lamp Requires/Remote:** P-RMT-MR16-LED-4W-MC (sold separately)
- ▶ **ETL Approved**

*Corrosion Resistant-Ocean Front Placement

Overall Dimensions:
4.63"H x 6.08"W x 6.08"D

Weight: 1.40 lbs
Approximate Wire Length: 15"

Box Dimensions:
5.43"H x 6.38"W x 6.38"D



DABMAR LIGHTING INCORPORATED

320 Graves Ave . Oxnard, CA 93030 . 805.604.9090 . f: 805.604.9050 . www.dabmar.com
4693 19th Street Ct E . Bradenton, FL 34203