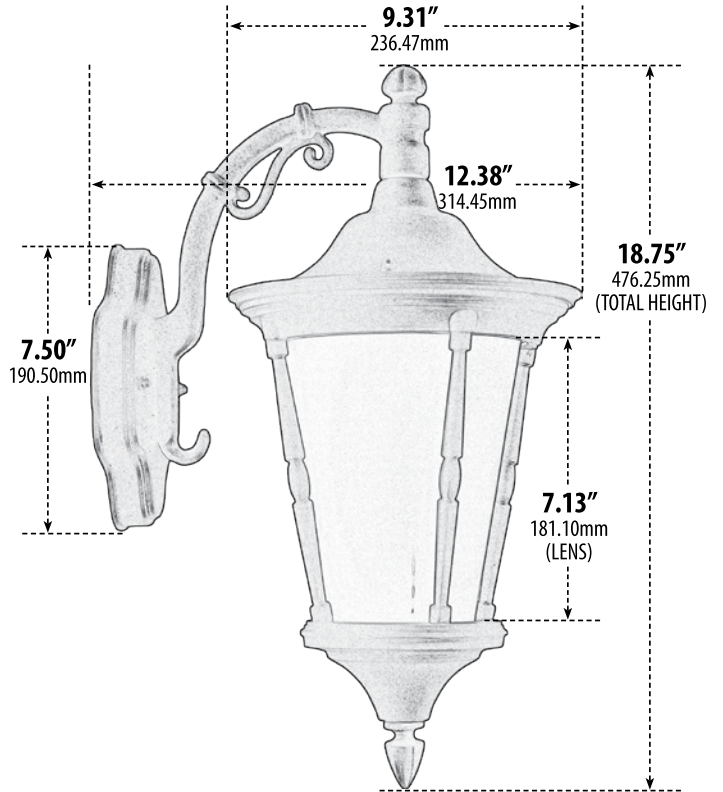


GM116

WALL FIXTURE



- ▶ **Material:** Powder Coated Cast Aluminum
- ▶ **Lens:** White, Heat Resistant, Polycarbonate
- ▶ **Available Finish:** Black, White, Verde Green
- ▶ **ETL Approved**

MODEL NUMBER	LAMP TYPE	ILLUMINANT TYPE	WATTS (W)	VOLTS (V)	LAMP(S) INCLUDED?
GM116**	A-Type	Incandescent	60	120	NO
GM116-LED6	A19-LED	FILAMENT LED	6	120	YES
GM116-LED9	GU24-LED	A19-LED	9	120	YES

**AVAILABLE IN18 W LED Add -LED18 to Model Number

LED Available in Warm or Cool White

Overall Dimensions:
 18.75"H x 9.31"W x 12.38"D

Weight: 3.8 lbs
 Approx. Wire Length: 11"

Box Dimensions:
 16.13"H x 12.38"W x 9.38"D



DABMAR
 LIGHTING

DABMAR LIGHTING INCORPORATED

320 Graves Ave . Oxnard, CA 93030 . 805.604.9090 . f: 805.604.9050 . www.dabmar.com
 4693 19th Street Ct E . Bradenton, FL 34203