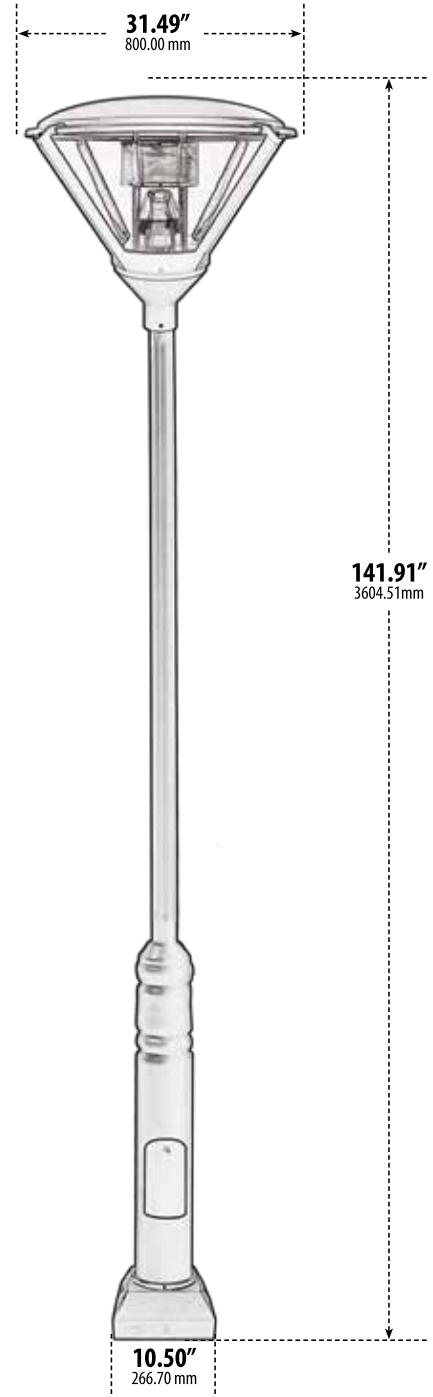
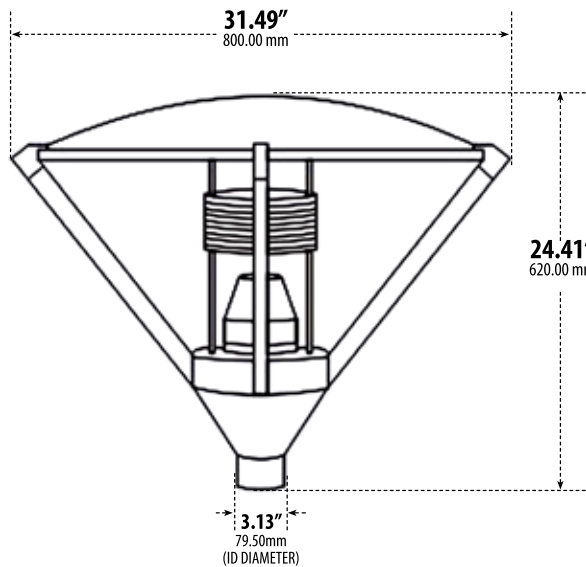
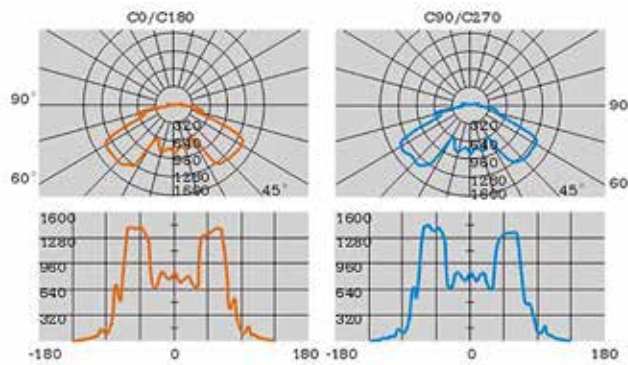


# GM5000

## POST FIXTURE



### PHOTOMETRICS



- ▶ **Material:** Powder Coated Cast Aluminum
- ▶ **Lens:** Polycarbonate
- ▶ **Available Finish:** Black, Verde Green
- ▶ **ETL Approval Pending**

MODEL NUMBER	LAMP TYPE	ILLUMINANT TYPE	WATTS (W)	VOLTS (V)	LAMP(S) INCLUDED?
GM5000	A-Type	Incandescent	60	120	NO
GM5000-LED30	Tubular E26	LED	30	85-265	YES

Overall Dimensions:  
141.91"H x 31.49"W x 31.49"D

Weight: 89.82 lbs  
Approximate Wire Length: N/A



DABMAR LIGHTING INCORPORATED

2140 Eastman Ave . Oxnard, CA 93030 . 805.604.9090 . f: 805.604.9050 . www.dabmar.com