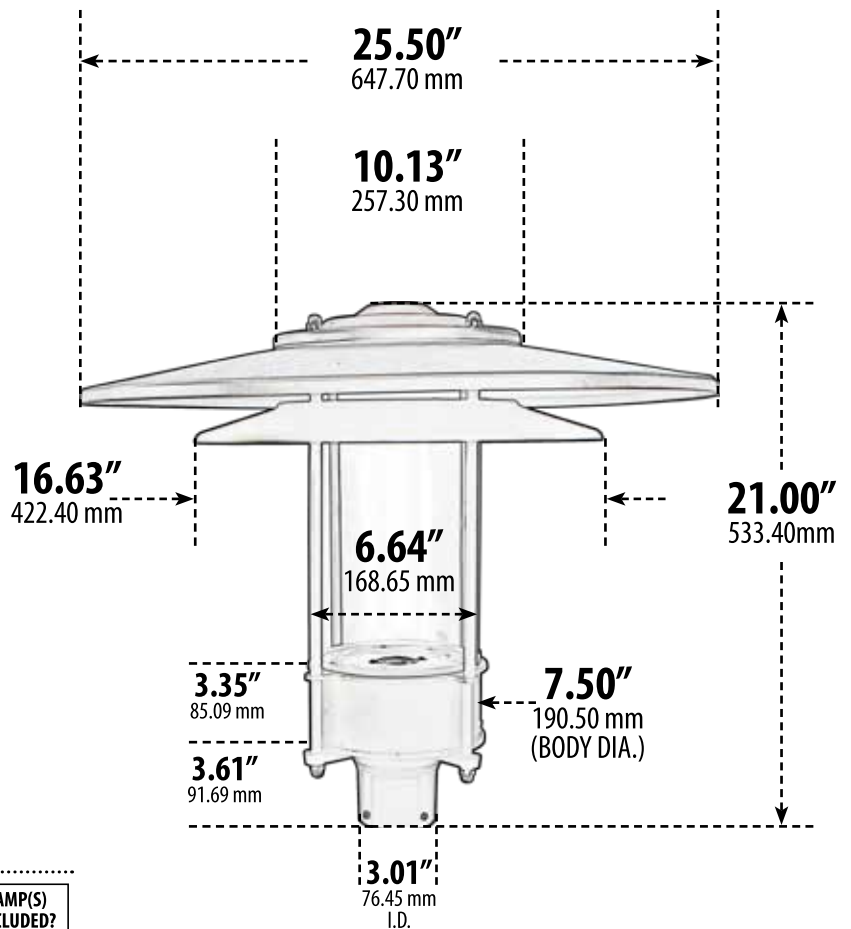


GM510-FROST

POST TOP FIXTURE



- ▶ **Material:** Powder Coated Cast Aluminum
- ▶ **Lens:** Frosted, Heat Resistant, Tempered Glass
- ▶ **Available Finish:** Black, Verde Green
- ▶ **ETL Approval Pending**

MODEL NUMBER	LAMP TYPE	ILLUMINANT TYPE	WATTS (W)	VOLTS (V)	LAMP(S) INCLUDED?
GM510-FROST	A-Type	Incandescent	60	120	NO
GM510-LED20-FROST	G24-LED	LED	20	120-277	YES
GM510-LED30-FROST	Tubular LED	LED	30	85-265	YES

20W LED Available in 30K or 50K

30W LED Available in 30K or 65K

Overall Dimensions:
21.00"H x 25.50"W x 25.50"D

Weight: 11.8 lbs

Approximate Wire Length: N/A

Box Dimensions: (BODY) 11.00"L x 10.75"W x 22.63"H
(COVERS) 26.25"L x 26.25"W x 3.25"H

DABMAR
LIGHTING

DABMAR LIGHTING INCORPORATED

320 Graves Ave . Oxnard, CA 93030 . 805.604.9090 . f: 805.604.9050 . www.dabmar.com
4693 19th Street Ct E . Bradenton, FL 34203