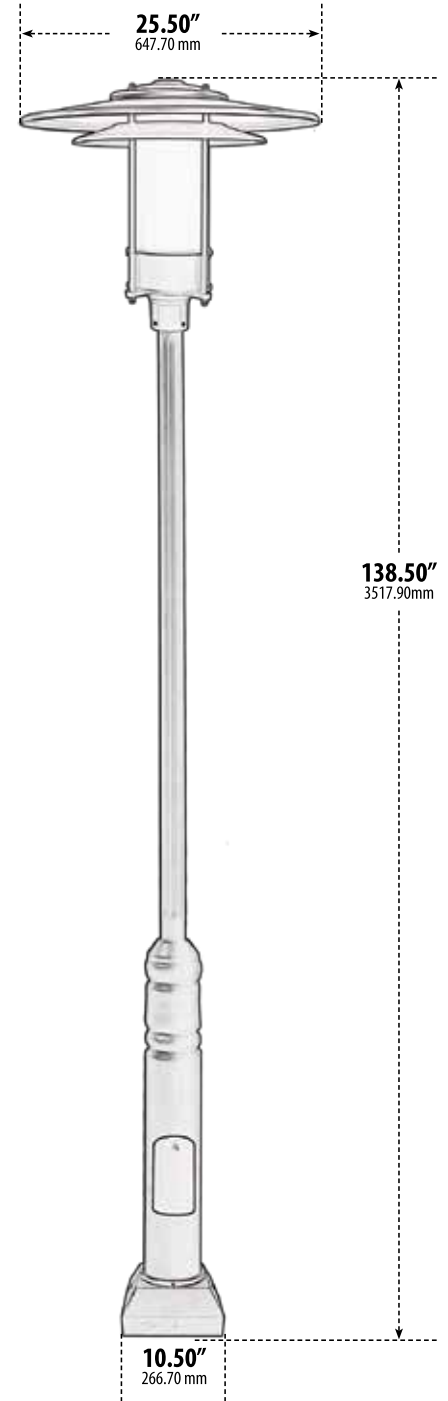
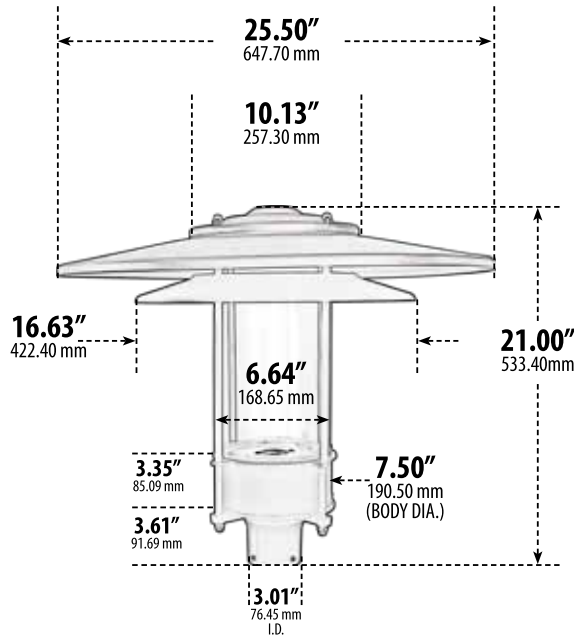


GM5100-FROST

POST FIXTURE



- **Material:** Powder Coated Cast Aluminum
- **Lens:** Frosted, Heat Resistant, Tempered Glass
- **Available Finish:** Black, Verde Green
- **ETL Approval Pending**

MODEL NUMBER	LAMP TYPE	ILLUMINANT TYPE	WATTS (W)	VOLTS (V)	LAMP(S) INCLUDED?
GM5100-FROST	A-Type	Incandescent	60	120	NO
GM5100-LED30-FROST	Tubular E26	LED	30	85-265	YES

Overall Dimensions:
138.50"H x 25.50"W x 25.50"D

Weight: 85.42 lbs
Approximate Wire Length: N/A



DABMAR LIGHTING INCORPORATED

2140 Eastman Ave . Oxnard, CA 93030 . 805.604.9090 . f: 805.604.9050 . www.dabmar.com