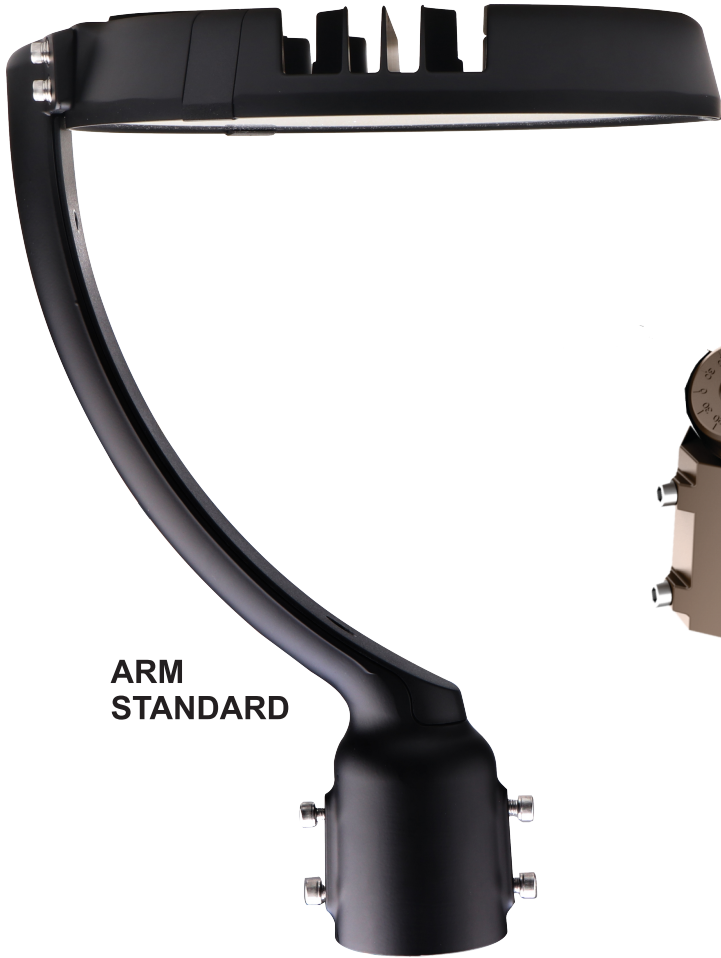


GM574-LED75 (75W/60W/50W) GM574-LED150 (150W/120W/100W) POST TOP FIXTURE



**ARM
STANDARD**



**SLIP FITTER OPTIONAL
ADD -SF FOR SLIP FITTER**

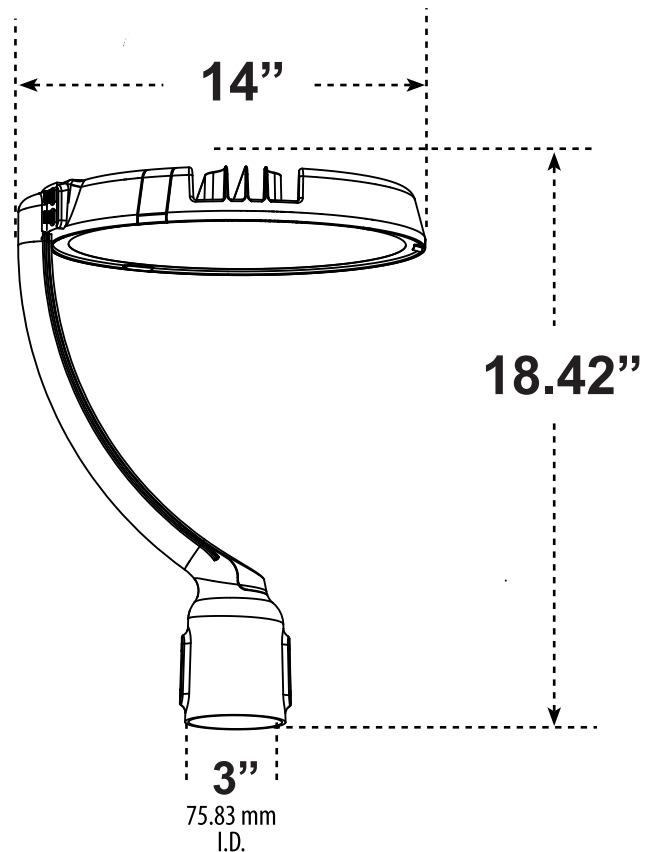
- ▶ **Material:** Powder Coated Cast Aluminum
- ▶ **Lens:** Clear, Heat Resistant, Polycarbonate Lens
- ▶ **Available Finish:** Black
- ▶ **Color Temperature:** 5000K
- ▶ **UL and DLC Approved**

MODEL NUMBER	LAMP TYPE	ILLUMINANT TYPE	WATTS (W)	VOLTS (V)	LUMENS
GM574-LED75	LED	LED MODULE	75	100-277	10,125
GM574-LED150	LED	LED MODULE	150	100-277	20,250

Photocell option available (sold separately)

Overall Dimensions:
18.42" H x 14" W x 14" D

Weight: 12.5lbs
Weight w/Box: 14.3 lbs
Approximate Wire Length: 22"



DABMAR
LIGHTING

DABMAR LIGHTING INCORPORATED

320 Graves Ave . Oxnard, CA 93030 . 805.604.9090 . f: 805.604.9050 . www.dabmar.com
4693 19th Street Ct E . Bradenton, FL 34203