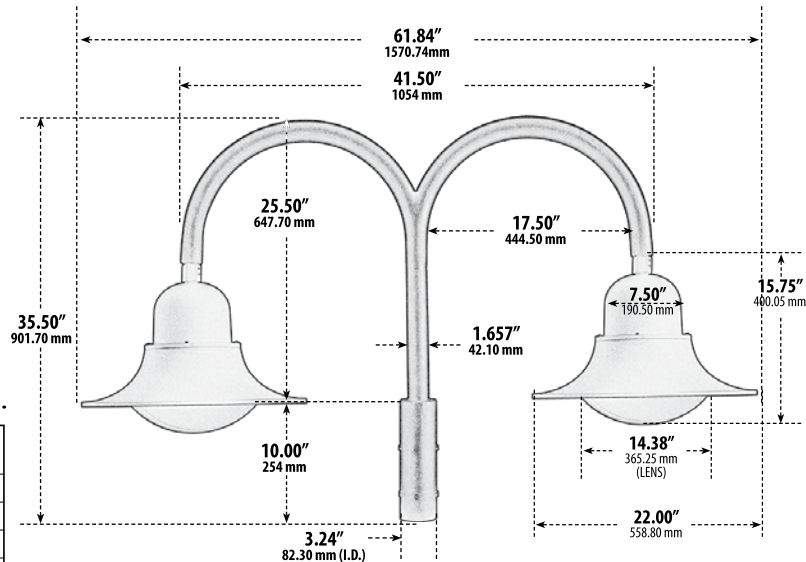
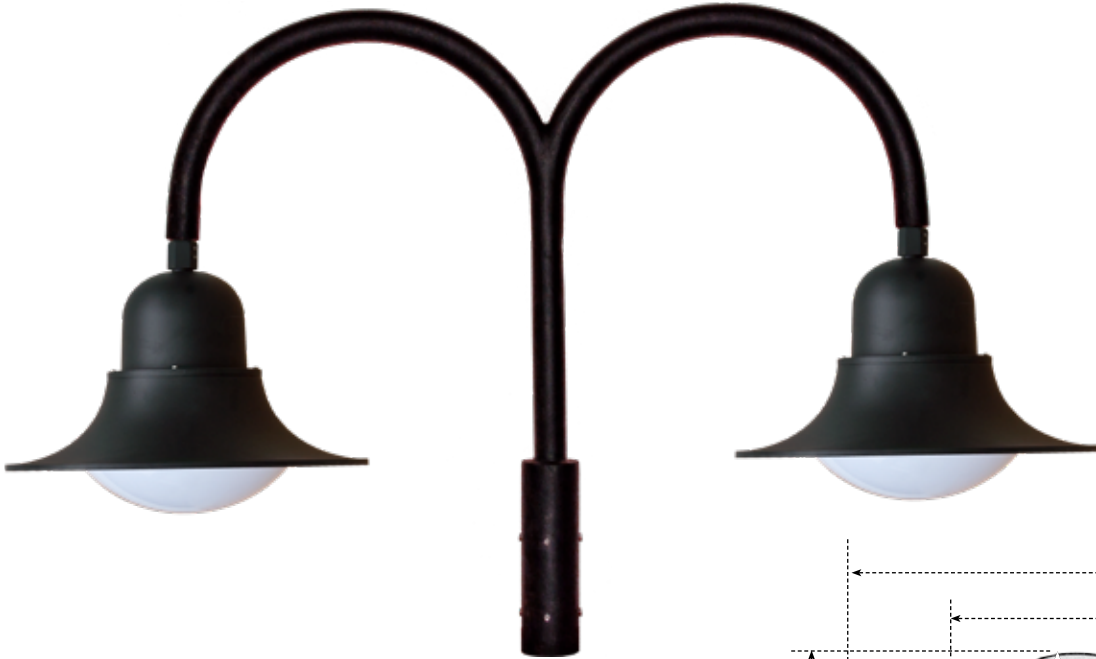


GM621

POST TOP FIXTURE - DOUBLE ARM



- ▶ **Material:** Powder Coated Cast Aluminum
- ▶ **Lens:** White, Heat Resistant, Convex Polycarbonate Lens
- ▶ **Available Finish:** Black, Verde Green
- ▶ **ETL Approved**

MODEL NUMBER	LAMP TYPE	ILLUMINANT TYPE	WATTS (W)	VOLTS (V)	LAMP(S) INCLUDED?
GM621	A-Type	Incandescent	2 x 100	120	NO
GM621-LED20	G24-LED	140 LEDs	2 x 20	120-277	YES
GM621-LED30	TUBULAR LED	168 LEDs	2 x 30	85-265	YES
GM622	HID	HPS	2 x 35	120	YES
GM623	HID	HPS	2 x 50	120	YES
GM623-MT	HID	HPS	2 x 50	MT	YES
GM624	HID	HPS	2 x 70	120	YES
GM624-MT	HID	HPS	2 x 70	MT	YES
GM625	HID	MH	2 x 35	120	YES
GM626	HID	MH	2 x 50	120	YES
GM626-MT	HID	MH	2 x 50	MT	YES
GM627	HID	MH	2 x 70	120	YES
GM627-MT	HID	MH	2 x 70	MT	YES

*Direct Burial and Surface Mounted Poles and Bases Available (sold separately)

20W LED Available in 30K or 50K

30W LED Available in 30K or 65K

Overall Dimensions:
35.50"H x 61.84"W x 22.00"D

Weight (Head Only): 11.2 lbs. each

Weight (Arm Only): 14 lbs.

Box Dimensions: 1 box per head
17.75"H x 18.00"W x 18.00"D (Head Only)

DABMAR
LIGHTING

DABMAR LIGHTING INCORPORATED

320 Graves Ave . Oxnard, CA 93030 . 805.604.9090 . f: 805.604.9050 . www.dabmar.com