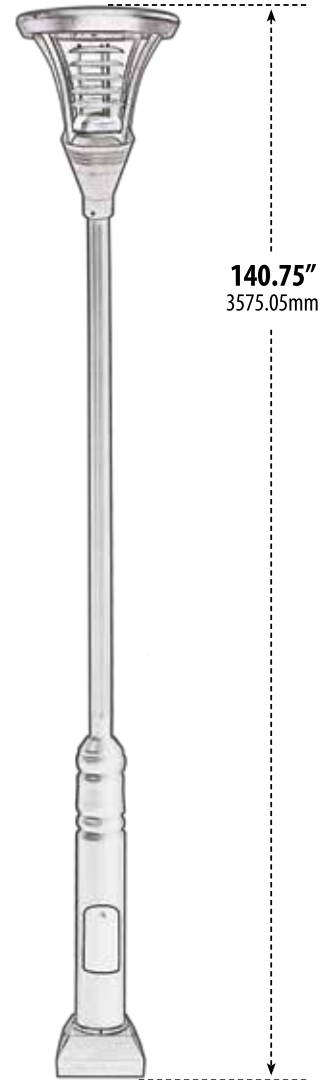
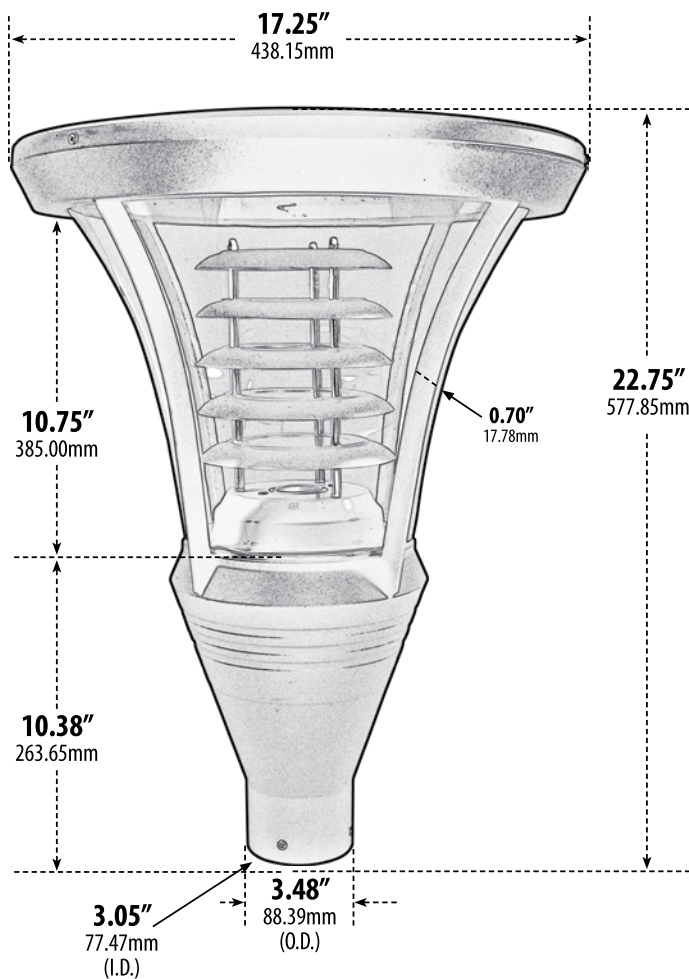


GM6400

POST FIXTURE



MODEL NUMBER	LAMP TYPE	ILLUMINANT TYPE	WATTS (W)	VOLTS (V)	LAMP(S) INCLUDED?
GM6400	A-Type	Incandescent	70	120	NO
GM6400-LED30	Tubular E26	LED	30	120-277	YES
GM6410	HID	HPS	35	120	YES
GM6420	HID	HPS	50	120	YES
GM6430	HID	HPS	70	120	YES
GM6440	HID	MH	35	120	YES
GM6450	HID	MH	50	120	YES
GM6460	HID	MH	70	120	YES

- ▶ **Material:** Powder Coated Cast Aluminum
- ▶ **Lens:** Clear, Heat Resistant, Polycarbonate
- ▶ **Available Finish:** Black, Verde Green
- ▶ **ETL Approval Pending**

Overall Dimensions:
22.75"H x 17.25"W x 17.25"D

Weight: 9.2 lbs
Approximate Wire Length: N/A
Box Dimensions:
25.00"H x 17.50"W x 17.50"D

DABMAR
LIGHTING

DABMAR LIGHTING INCORPORATED

2140 Eastman Ave . Oxnard, CA 93030 . 805.604.9090 . f: 805.604.9050 . www.dabmar.com