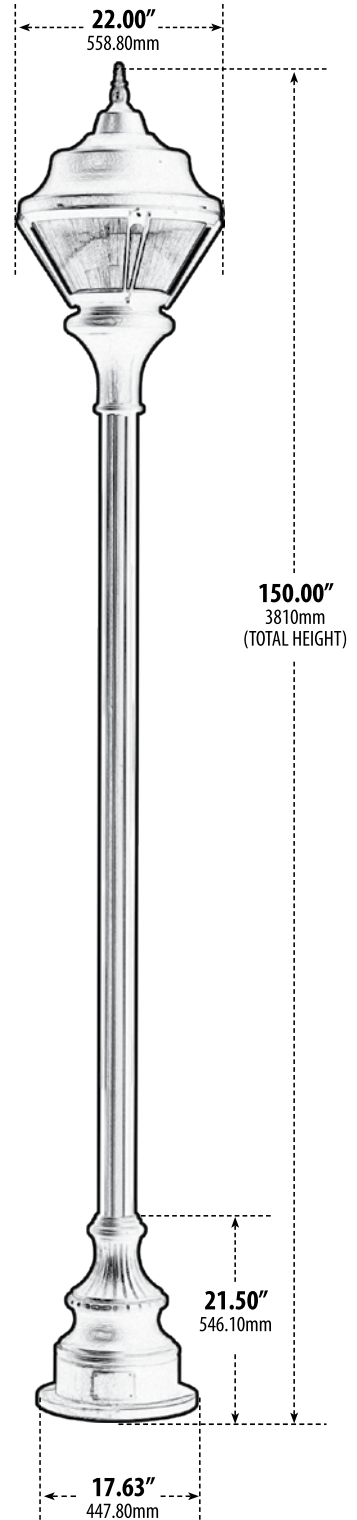


# GM9000

## POST FIXTURE WITH DECORATIVE BASE



- ▶ **Material:** Powder Coated Cast Aluminum Top
- ▶ **Lens:** Clear, Ribbed, Heat Resistant, Polycarbonate
- ▶ **Available Finish:** Black, Bronze, Verde Green
- ▶ **ETL Approved** **\*\*AVAILABLE IN 18 W LED add -LED 18 Model Number**

MODEL NUMBER	LAMP TYPE	ILLUMINANT TYPE	WATTS (W)	VOLTS (V)	LAMP(S) INCLUDED?
GM9000-INC**	A-Type	Incandescent	60	120	NO
GM9000	HID	HPS	70	120	YES
GM9000-LED16	<b>TUBULAR LED</b>	<b>96 LEDs</b>	<b>16</b>	<b>85-265</b>	<b>YES</b>
GM9000-LED30	<b>TUBULAR LED</b>	<b>168 LEDs</b>	<b>30</b>	<b>85-265</b>	<b>YES</b>
GM9000-MT	HID	HPS	70	MT	YES
GM9001	HID	HPS	100	120	YES
GM9001-MT	HID	HPS	100	MT	YES
GM9002	HID	HPS	150	120	YES
GM9002-MT	HID	HPS	150	MT	YES
GM9003	HID	MH	70	120	YES
GM9003-MT	HID	MH	70	MT	YES
GM9004	HID	MH	100	120	YES
GM9004-MT	HID	MH	100	MT	YES
GM9005	HID	MH	150	120	YES
GM9005-MT	HID	MH	150	MT	YES
GM9006	HID	MH	175	120	YES
GM9006-MT	HID	MH	175	MT	YES
GM9007	HID	MH	50	120	YES
GM9007-MT	HID	MH	50	MT	YES
GM9008	HID	HPS	35	120	YES
GM9009	HID	HPS	50	120	YES
GM9009-MT	HID	HPS	50	MT	YES

LED Available in 30K or 65K

Overall Dimensions:  
150.00"H x 22.00"W x 22.00"D

Weight: 98.56 lbs

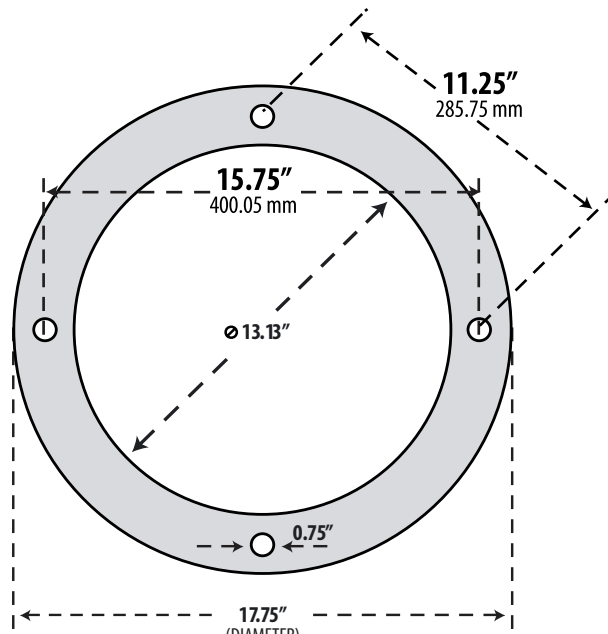
**DABMAR**  
LIGHTING

DABMAR LIGHTING INCORPORATED

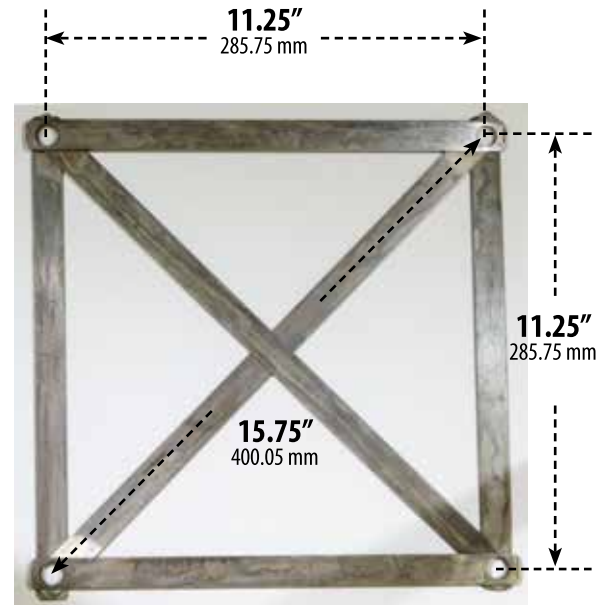
320 Graves Ave . Oxnard, CA 93030 . 805.604.9090 . f: 805.604.9050 . www.dabmar.com

4693 19th Street Ct E . Bradenton, FL 34203

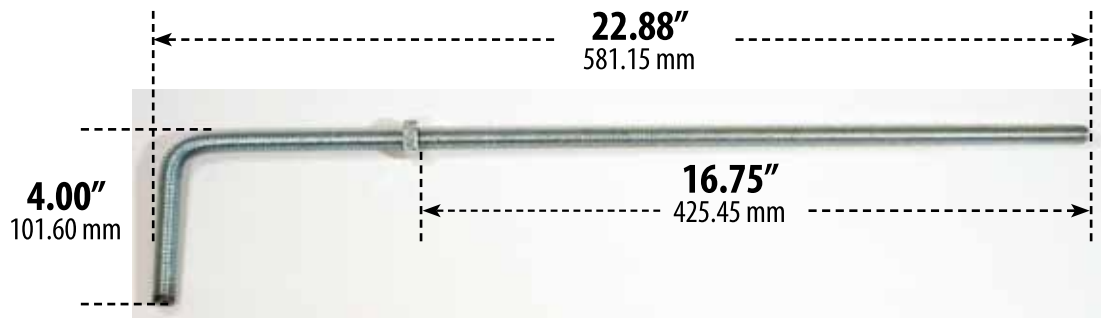
Pole is threaded at both ends (threads into head)



**BASE PATTERN**



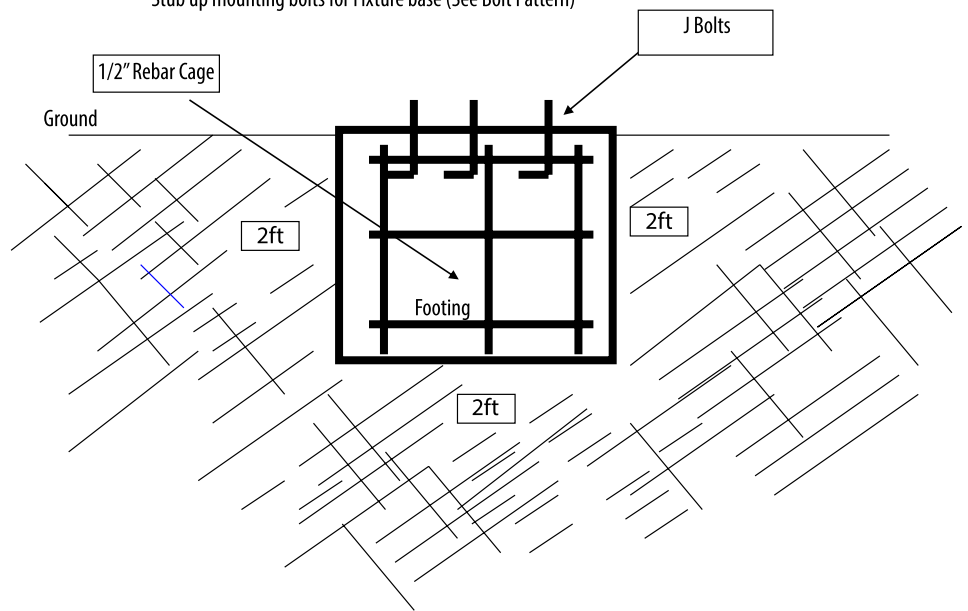
**TEMPLATE PLATES**



**BOLT SPECS (4)**

**Footing for GM9000 Post Fixture**

Footing should measure 2' x 2' x 2' with 1/2" rebar cage  
Stub up mounting bolts for Fixture base (See Bolt Pattern)



Pole is threaded at both ends (threads into base)

