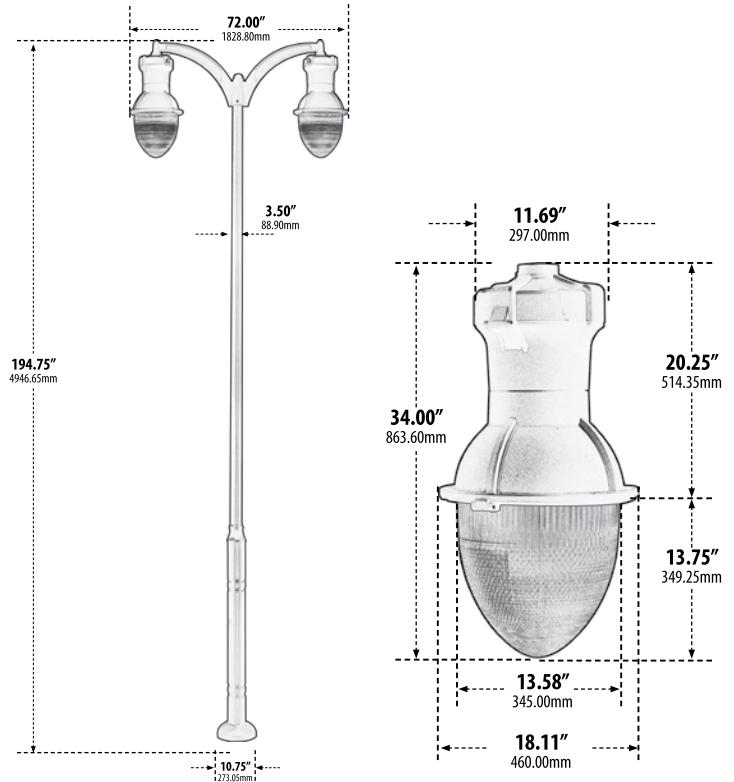


GM9280

POST FIXTURE - DOUBLE ARM



- ▶ **Material:** Powder Coated Cast Aluminum
- ▶ **Lens:** Clear, Prismatic, Heat Resistant, Polycarbonate
- ▶ **Available Finish:** Black, Verde Green
- ▶ **ETL Approved**

Overall Dimensions:
200.00"H x 72.00"W x 18.11"D

Weight Post: 80 lbs
Weight Head: 29 lbs each
Weight Arms: 28 lbs
Weight Post Base: 10 lbs

Total Approx Weight: 176 lbs

MODEL NUMBER	LAMP TYPE	ILLUMINANT TYPE	WATTS (W)	VOLTS (V)	LAMP(S) INCLUDED?
GM9280-INC	A-Type	Incandescent	2 x 100	120	NO
GM9280	HID	HPS/MOG	2 x 70	120	YES
GM9280-LED75	MOGUL LED	216 LEDs	2 x 75	120-277	YES
GM9280-LED120	MOGUL LED	896 LEDs	2 x 120	120-277	YES
GM9280-MT	HID	HPS/MOG	2 x 70	MT	YES
GM9281	HID	HPS/MOG	2 x 100	120	YES
GM9281-MT	HID	HPS/MOG	2 x 100	MT	YES
GM9282	HID	HPS/MOG	2 x 150	120	YES
GM9282-MT	HID	HPS/MOG	2 x 150	MT	YES
GM9283-MT	HID	HPS/MOG	2 x 250	MT	YES
GM9284	HID	MH/MOG	2 x 70	120	YES
GM9284-MT	HID	MH/MOG	2 x 70	MT	YES
GM9285	HID	MH/MOG	2 x 100	120	YES
GM9285-MT	HID	MH/MOG	2 x 100	MT	YES
GM9286	HID	MH/MOG	2 x 150	120	YES
GM9286-MT	HID	MH/MOG	2 x 150	MT	YES
GM9287	HID	MH/MOG	2 x 175	120	YES
GM9287-MT	HID	MH/MOG	2 x 175	MT	YES
GM9288-MT	HID	MH/MOG	2 x 250	MT	YES

75W LED Available in 60K, 120W LED Available in 41K

DABMAR
LIGHTING
DABMAR LIGHTING INCORPORATED

320 Graves Ave . Oxnard, CA 93030 . 805.604.9090 . f: 805.604.9050 . www.dabmar.com