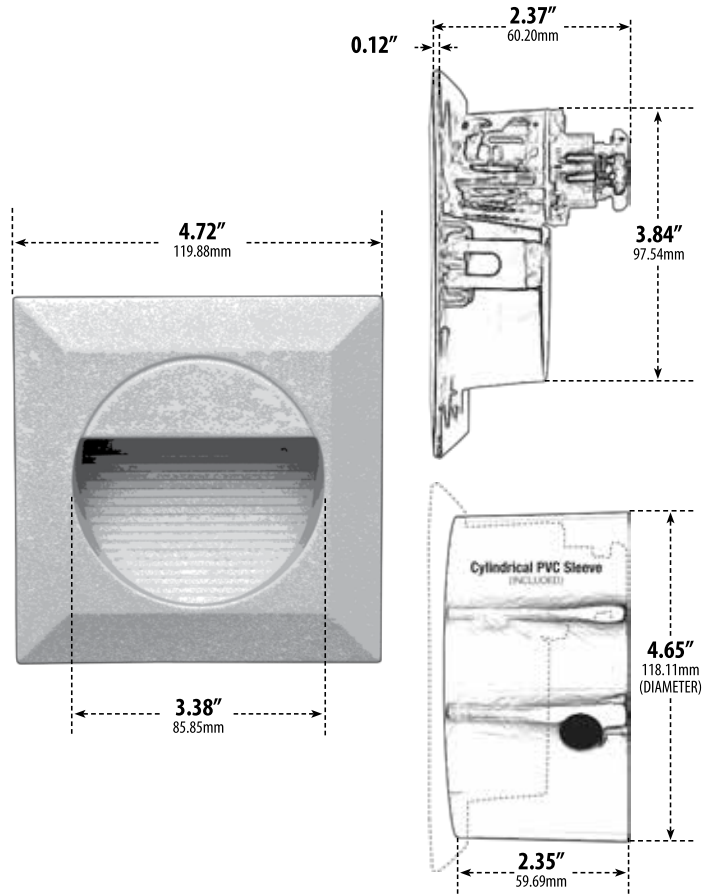


LV-LED20

RECESSED BRICK, STEP AND WALL LIGHT



- ▶ **Material:** Cast Aluminum
- ▶ **Lens:** Clear, Heat Resistant, Tempered Glass
- ▶ **Lamp:** Integral LED Circuit Board

MODEL NUMBER	LAMP TYPE	ILLUMINANT TYPE	WATTS (W)	VOLTS (V)	LAMP(S) INCLUDED?
LV-LED20	LED BOARD	14 LEDs	1.4	12	YES

- ▶ **Lamp Color:** White, Green, Blue
- ▶ **Available Color:** White
- ▶ **Recessed Mount**
- ▶ **Connector Available:** P-CN01 (sold separately)
- ▶ **ETL Approval Pending**

Overall Dimensions:
4.72"H x 4.72"W x 2.35"D

Weight: 0.80 lbs
Box Dimensions: 5.00"H x 5.00"W x 2.75"D

DABMAR
LIGHTING

DABMAR LIGHTING INCORPORATED

320 Graves Ave . Oxnard, CA 93030 . 805.604.9090 . f: 805.604.9050 . www.dabmar.com