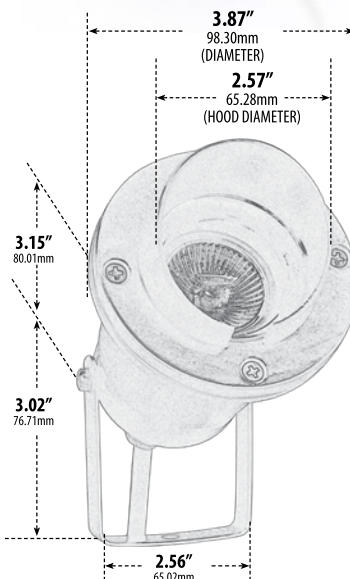


LV109

DIRECTIONAL SPOT LIGHT WITH HOOD



**P-SND-01
TREE STAND**
(Sold Separately)

- ▶ **Material:** Powder Coated Cast Aluminum
- ▶ **Lens:** Clear, Heat Resistant, Tempered Glass
- ▶ **Lamp:** MR16 Bi-Pin Base (50W Maximum) Available in 27K or 65K (LED)

MODEL NUMBER	LAMP TYPE	ILLUMINANT TYPE	WATTS (W)	VOLTS (V)	LAMP(S) INCLUDED?
LV109	MR16	HALOGEN	20	12	YES
LV109-LED3	MR16-LED	LED	3	12	YES
LV109-LED5	MR16-LED	LED	5	12	YES
LV109-LED7	MR16-LED	LED	7	12	YES
LV109-LED4-RGBW	MR16-LED	LED	4	12	YES

Pre-wired with UL Listed Direct Burial Wire/Cable

- ▶ **Adjustable U-Shaped Bracket with Ground Spike**
- ▶ **P-SND-01 Tree Stand** (sold separately)
- ▶ **RGBW Lamp Requires/Remote:** P-RMT-MR16-LED-4W-MC (sold separately)
- ▶ **Connector Available:** P-CN01 (sold separately)
- ▶ **Available Finish:** Black, Bronze, Green, Verde Green
- ▶ **ETL Approved**

Overall Dimensions: 7.00"H x 3.87"W x 5.50"D

Maximum Height: 8.00"

Minimum Height: 5.25"

Maximum Depth: 6.00"

Minimum Depth: 4.25"

Weight: 1.00 lbs

Approximate Wire Length: 17"

Box Dimensions: 8.75"H x 4.75"W x 4.00"D

DABMAR
LIGHTING

DABMAR LIGHTING INCORPORATED

320 Graves Ave . Oxnard, CA 93030 . 805.604.9090 . f: 805.604.9050 . www.dabmar.com