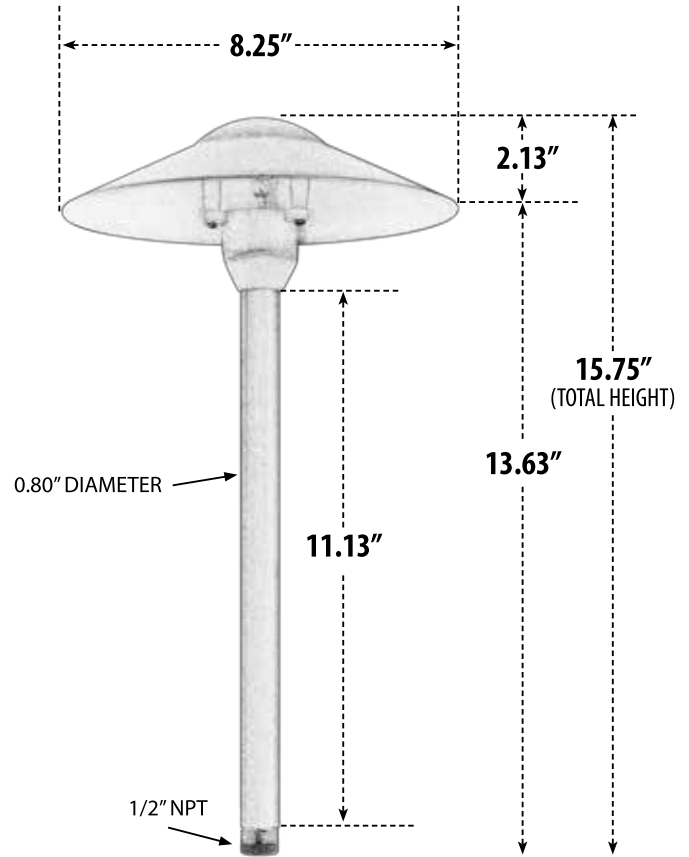


LV214

PATH, WALKWAY AND AREA LIGHT



- ▶ **Material:** Powder Coated Cast Aluminum
- ▶ **Lens:** White Reflector with Clear Plastic Diffuser
- ▶ **Lamp:** JC Bi-Pin Base (20W Maximum)

MODEL NUMBER	LAMP TYPE	ILLUMINANT TYPE	WATTS (W)	VOLTS (V)	LAMP(S) INCLUDED?
LV214	JC	HALOGEN	20	12	YES
LV-LED214	JC-LED	LED	2.5	12	YES

Pre-wired with UL Listed Direct Burial Wire/Cable

- ▶ **1/2" NPT**
- ▶ **Ground Spike Included for Installation**
- ▶ **Connector Available:** P-CN01 (sold separately)
- ▶ **Available Finish:** Black, Bronze, Green, Verde Green
- ▶ **ETL Approved**

Overall Dimensions:
15.75" H x 8.25" W x 8.25" D

Maximum Height: 15.75"
Width: 8.25"
Maximum Depth: 8.25"

Weight: 1.00 lbs
Approximate Wire Length: 34"
Box Dimensions: 9.00" H x 8.75" W x 3.75" D

DABMAR
LIGHTING

DABMAR LIGHTING INCORPORATED

2140 Eastman Ave . Oxnard, CA 93030 . 805.604.9090 . f: 805.604.9050 . www.dabmar.com