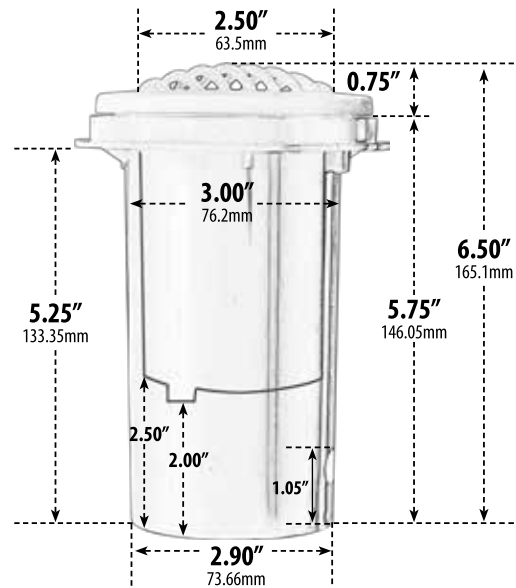
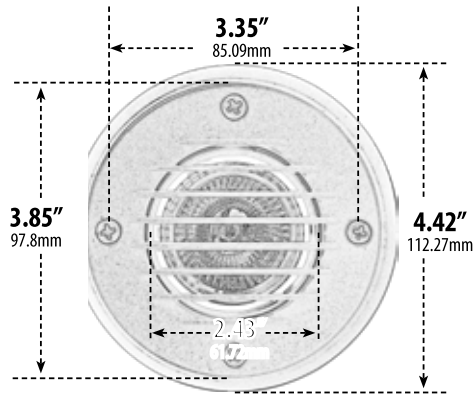


# LV300-SLV

## IN-GROUND WELL LIGHT w/GRILL



- ▶ **Material:** Powder Coated Cast Aluminum with PVC Sleeve
- ▶ **Lens:** Clear, Heat Resistant, Tempered Glass
- ▶ **Lamp:** MR16 Bi-Pin Base (50W Maximum) Available in 27K or 65K (LED)

MODEL NUMBER	LAMP TYPE	ILLUMINANT TYPE	WATTS (W)	VOLTS (V)	LAMP(S) INCLUDED?
LV300-SLV	MR16	HALOGEN	20	12	YES
LV300-LED3-SLV	MR16-LED	LED	3	12	YES
LV300-LED5-SLV	MR16-LED	LED	5	12	YES
LV300-LED7-SLV	MR16-LED	LED	7	12	YES
LV300-LED4-SLV-RGBW	MR16-LED	LED	4	12	YES

Pre-wired with UL Listed Direct Burial Wire/Cable

- ▶ **Installation Type:** Rated for In-Ground Soil and Concrete Applications
- ▶ **Available Finish:** Black, Bronze, Green, Verde Green
- ▶ **RGBW Lamp Requires/Remote:** P-RMT-MR16-LED-4W-MC (sold separately)
- ▶ **ETL Approved**

Overall Dimensions:  
6.50"H x 4.42"W x 4.42"D

Weight: 1.0 lbs  
Approximate Wire Length: 19"  
Box Dimensions:  
6.75"H x 4.75"W x 4.75"D

**DABMAR**  
LIGHTING

DABMAR LIGHTING INCORPORATED

320 Graves Ave . Oxnard, CA 93030 . 805.604.9090 . f: 805.604.9050 . www.dabmar.com  
4693 19th Street Ct E . Bradenton, FL 34203