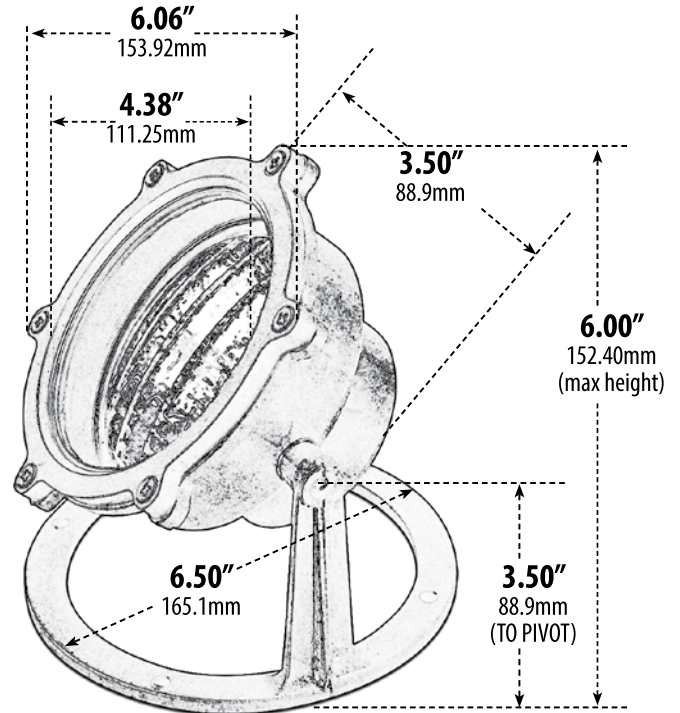


# LV308

## POND AND FOUNTAIN UNDERWATER LIGHT



- ▶ **Material:** Brass or Stainless Steel
- ▶ **Lens:** Clear, Heat Resistant, Tempered Glass
- ▶ **Lamp:** PAR36 (50W Maximum) LED Available in 30K or 64K
- ▶ **Available Finish:** Brass or 316 Marine Grade Stainless Steel
- ▶ **RGBW Lamp Requires/Remote:** P-RMT-MR16-LED-4W-MC (sold separately)
- ▶ **Pre-Wired with UL Listed 21' 16/3 Underwater Cable**
- ▶ **Adjustable Bracket**
- ▶ **Transformer:** LVT300-SUB/SS Transformer (required) Sold Separately
- ▶ **ETL Approval Pending**

MODEL NUMBER	LAMP TYPE	ILLUMINANT TYPE	WATTS (W)	VOLTS (V)	LAMP(S) INCLUDED?
LV308-SS-316	PAR36	HALOGEN	35	12	YES
LV308-LED4-SS-316	PAR36-LED	SMD LEDs	4	12	YES
LV308-LED6-SS-316	PAR36-LED	SMD LEDs	6	12	YES
LV308-LED9-SS-316	PAR36-LED	SMD LEDs	9	12	YES
LV308-LED9-RGBW-SS-316	PAR36-LED	SMD LEDs	9	12	YES
LV308-BS	PAR36	HALOGEN	35	12	YES
LV308-LED4-BS	PAR36-LED	SMD LEDs	4	12	YES
LV308-LED6-BS	PAR36-LED	SMD LEDs	6	12	YES
LV308-LED9-BS	PAR36-LED	SMD LEDs	9	12	YES
LV308-LED9-RGBW-BS	PAR36-LED	SMD LEDs	9	12	YES

Overall Dimensions:  
6.00"H x 6.50"W x 6.50"D

Maximum Height: 7.00"  
Minimum Height: 5.50"  
Width: 6.50"  
Maximum Depth: 6.75"  
Minimum Depth: 6.50"

Weight: 5.20 lbs  
Approximate Wire Length: 252"  
Box Dimensions: 5.50"H x 7.00"W x 7.00"D

**DABMAR**  
LIGHTING

DABMAR LIGHTING INCORPORATED

320 Graves Ave . Oxnard, CA 93030 . 805.604.9090 . f: 805.604.9050 . www.dabmar.com  
4693 19th Street Ct E . Bradenton, FL 34203