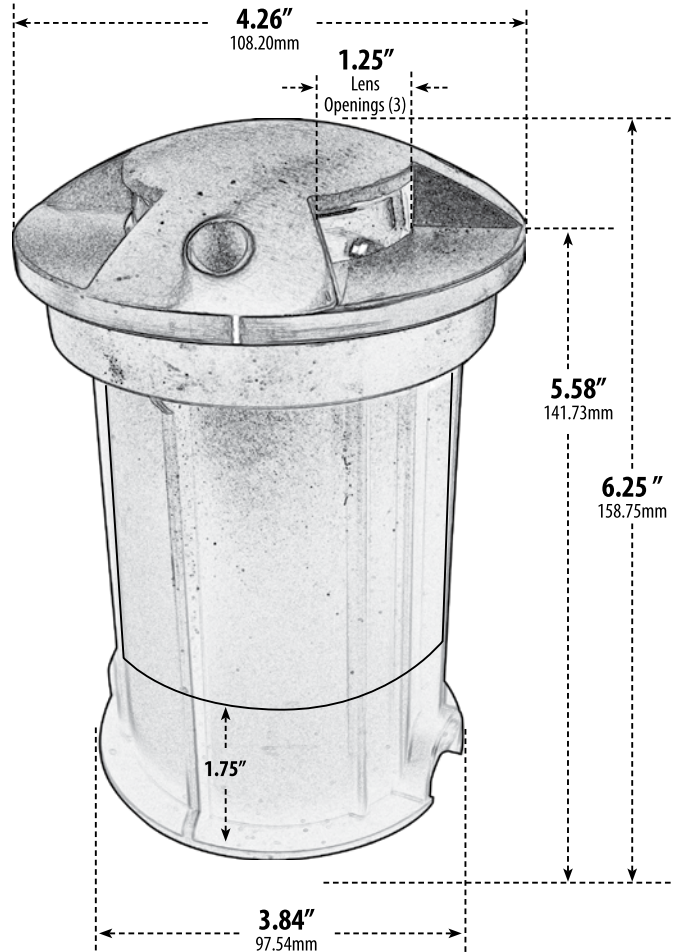


# LV321-SS316

## IN-GROUND DRIVE-OVER WELL LIGHT



- ▶ **Material:** Stainless Steel with PVC Sleeve
- ▶ **Lens:** Clear, Heat Resistant, Tempered Glass
- ▶ **Lamp:** MR16 Bi-Pin Base (35W Maximum) LED Available in 27K or 65K

MODEL NUMBER	LAMP TYPE	ILLUMINANT TYPE	WATTS (W)	VOLTS (V)	LAMP(S) INCLUDED?
LV321-SS316	MR16	HALOGEN	20	12	YES
LV321-LED3-SS316	MR16-LED	LED	3	12	YES
LV321-LED5-SS316	MR16-LED	LED	5	12	YES
LV321-LED7-SS316	MR16-LED	LED	7	12	YES
LV321-LED4-SS316-RGBW	MR16-LED	LED	4	12	YES

Pre-wired with UL Listed Direct Burial Wire/Cable

- ▶ **Maximum Weight Load:** 4496 lbs
- ▶ **Installation Type:** Rated for In-Ground Soil and Concrete Applications
- ▶ **Available Finish:** Stainless Steel
- ▶ **RGBW Lamp Requires/Remote:** P-RMT-MR16-LED-4W-MC (sold separately)
- ▶ **ETL Approved**

Overall Dimensions:  
6.25"H x 4.26"W x 4.26"D

Maximum Height: 6.25"  
Width: 4.26"  
Maximum Depth: 4.26"

Weight: 0.80 lbs  
Approximate Wire Length: 21 "



DABMAR LIGHTING INCORPORATED

320 Graves Ave . Oxnard, CA 93030 . 805.604.9090 . f: 805.604.9050 . www.dabmar.com  
4693 19th Street Ct E . Bradenton, FL 34203