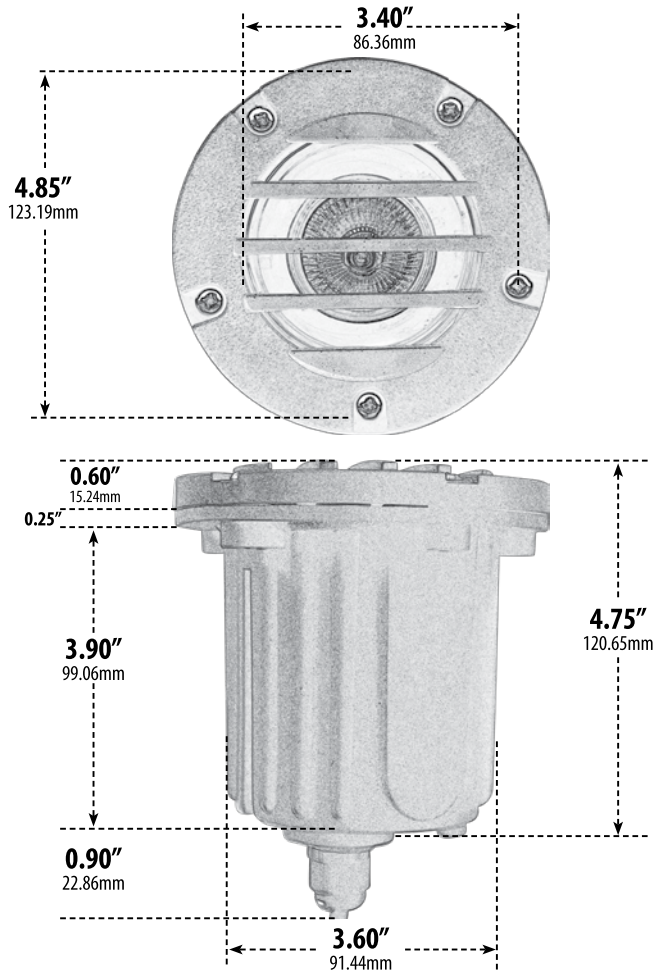


LV346-WBS

ADJUSTABLE IN-GROUND WELL LIGHT w/GRILL



- ▶ **Material:** Cast Brass (Weathered Brass)
- ▶ **Lens:** Clear, Heat Resistant, Tempered Glass
- ▶ **Lamp:** MR16 Bi-Pin Base (35W Maximum) **LED Available in 27K or 65K**

MODEL NUMBER	LAMP TYPE	ILLUMINANT TYPE	WATTS (W)	VOLTS (V)	LAMP(S) INCLUDED?
LV346-WBS	MR16	HALOGEN	20	12	YES
LV346-LED3-WBS	MR16-LED	LED	3	12	YES
LV346-LED5-WBS	MR16-LED	LED	5	12	YES
LV346-LED7-WBS	MR16-LED	LED	7	12	YES
LV346-LED4-WBS-RGBW	MR16-LED	LED	4	12	YES

Pre-wired with UL Listed Direct Burial Wire/Cable

- ▶ **Installation Type:** Rated for In-Ground Soil and Concrete Applications
- ▶ **Available Finish:** Weathered Brass (Cast Brass)
- ▶ **RGBW Lamp Requires/Remote:** P-RMT-MR16-LED-4W-MC (sold separately)
- ▶ **ETL Approved**

Overall Dimensions:

5.45"H x 4.85"W x 4.85"D

Weight: 1.00 lbs

Approximate Wire Length: 17"

Box Dimensions:

6.63"H x 5.13"W x 5.13"D

DABMAR
LIGHTING

DABMAR LIGHTING INCORPORATED

320 Graves Ave . Oxnard, CA 93030 . 805.604.9090 . f: 805.604.9050 . www.dabmar.com

4693 19th Street Ct E . Bradenton, FL 34203