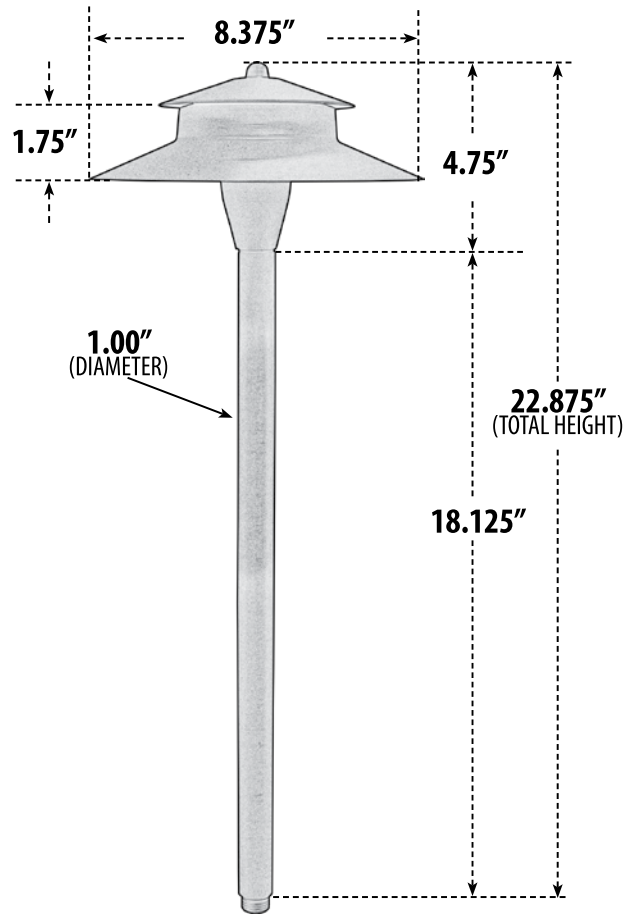


LV35

PATH, WALKWAY AND AREA LIGHT



- ▶ **Material:** Brass
- ▶ **Lens:** Clear, Heat Resistant, Tempered Glass
- ▶ **Lamp:** JC Bi-Pin Base (20W Maximum) Available in 30K or 64K (LED)

MODEL NUMBER	LAMP TYPE	ILLUMINANT TYPE	WATTS (W)	VOLTS (V)	LAMP(S) INCLUDED?
LV35	JC	HALOGEN	20	12	YES
LV-LED35	JC-LED	LED	2.5	12	YES

Pre-wired with UL Listed Direct Burial Wire/Cable

- ▶ **1/2" NPT**
- ▶ **Ground Spike Included for Installation**
- ▶ **Connector Available:** P-CN01 (sold separately)
- ▶ **Available Finish:** Weathered Brass
- ▶ **ETL Approved**

Overall Dimensions:
22.875"H x 8.375"W x 8.375"D

Maximum Height: 22.875"
Minimum Height: 22.875"
Width: 8.375"
Maximum Depth: 8.375"
Minimum Depth: 8.375"

Weight: 4.2 lbs
Approximate Wire Length: 36"

Box Dimensions: 12 7/8"W x 24.0"H x 3 1/2"D



DABMAR LIGHTING INCORPORATED

320 Graves Ave . Oxnard, CA 93030 . 805.604.9090 . f: 805.604.9050 . www.dabmar.com
4693 19th Street Ct E . Bradenton, FL 34203