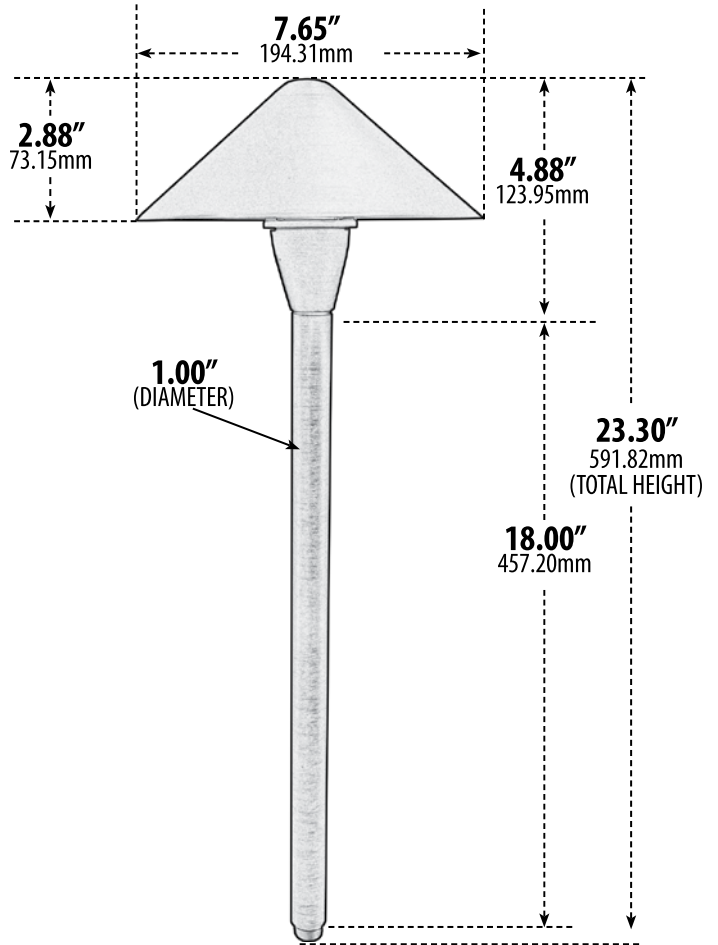


# LV36

## PATH, WALKWAY AND AREA LIGHT



- ▶ **Material:** Brass
- ▶ **Lens:** Clear, Heat Resistant, Tempered Glass
- ▶ **Lamp:** JC Bi-Pin Base (20W Maximum) Available in 30K or 64K (LED)

MODEL NUMBER	LAMP TYPE	ILLUMINANT TYPE	WATTS (W)	VOLTS (V)	LAMP(S) INCLUDED?
LV36	JC	HALOGEN	20	12	YES
LV-LED36	JC-LED	LED	2.5	12	YES

Pre-wired with UL Listed Direct Burial Wire/Cable

- ▶ **1/2" NPT**
- ▶ **Ground Spike Included for Installation**
- ▶ **Connector Available:** P-CN01 (sold separately)
- ▶ **Available Finish:** Weathered Brass
- ▶ **ETL Approved**

Overall Dimensions:  
23.30"H x 7.65"W x 7.65"D

Weight: 1.13 lbs  
 Weight (Head): 6.2oz  
 Weight Box(Head): 9.6oz  
 Weight (Stem): 1lb 7.4oz  
 Weight Box(Stem): 1lb 14oz  
 Approximate Wire Length: 35"  
 Box Dimensions(Stem): 3.38"W x 23.25"H x 3.38"D  
 Box Dimensions(Head): 7.75"W x 7.63"H x 3.25"D



DABMAR LIGHTING INCORPORATED

320 Graves Ave . Oxnard, CA 93030 . 805.604.9090 . f: 805.604.9050 . www.dabmar.com  
 4693 19th Street Ct E . Bradenton, FL 34203