

# LV615

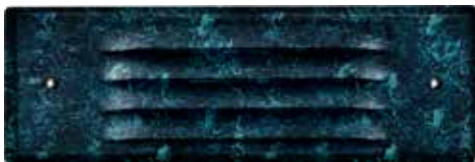
## RECESSED LOUVER DOWN BRICK, STEP AND WALL LIGHT



**LV615-B**



**LV615-W**



**LV615-VG**



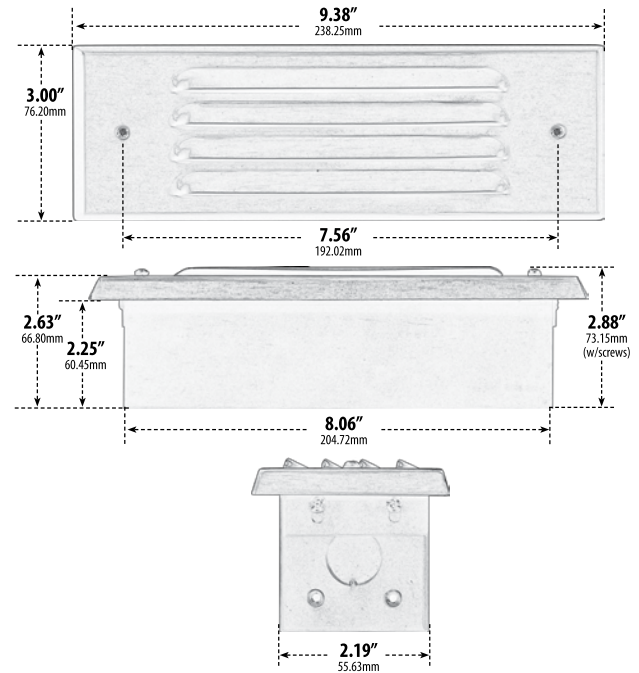
**LV615-CP**



**LV615-ABS**



**LV615-ABZ**



- ▶ **Faceplate Material:** See below
- ▶ **Housing Material:** Brass
- ▶ **Lens:** Frosted, Heat Resistant, Tempered Glass
- ▶ **Lamp:** Single Contact Bayonet Base (2 x 21W Maximum) **LED Available in 30K or 64K**

MODEL NUMBER	LAMP TYPE	ILLUMINANT TYPE	WATTS (W)	VOLTS (V)	LAMP(S) INCLUDED?
LV615	93/1156	INCANDESCENT	2 x 21	12	YES
LV-LED615	BAY-LED	LED	2 x 3.2	12	YES

- ▶ **Available Finish (Aluminum):** Black, White, Verde Green
- ▶ **Available Finish (Brass):** Antique Brass, Antique Bronze
- ▶ **Available Finish (Copper):** Copper
- ▶ **Recessed Mount:** (Concrete)
- ▶ **Connector Available:** P-CN01 (sold separately)
- ▶ **Replacement Cover Plate:** P-CVR-LV615 (sold separately)
- ▶ **ETL Approved**

Overall Dimensions:  
3.00"H x 9.38"W x 2.63"D

Weight: 1.40 lbs  
Approximate Wire Length: 18"  
Box Dimensions: 4.88"H x 9.75"W x 3.13"D  
Lamp Included

**DABMAR**  
LIGHTING

DABMAR LIGHTING INCORPORATED

320 Graves Ave . Oxnard, CA 93030 . 805.604.9090 . f: 805.604.9050 . www.dabmar.com