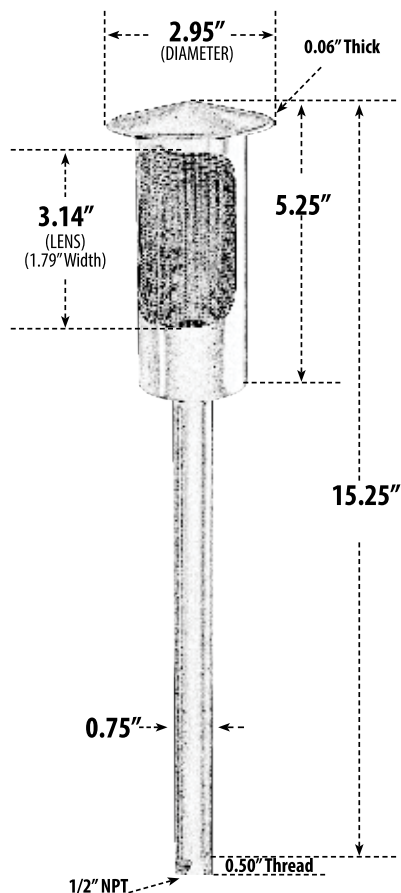


LV63-BS

ACCENT PATH, WALKWAY AND AREA LIGHT



- ▶ **Material:** Brass, Copper, Stainless Steel
- ▶ **Lens:** Prismatic Plastic Diffuser
- ▶ **Lamp:** JC Bi-Pin Base (20W Maximum) Available in 30K or 64K (LED)
- ▶ **1/2" NPT**
- ▶ **Ground Spike Included for Installation**
- ▶ **Connector Available:** P-CN01 (sold separately)
- ▶ **Available Finish:** Brass, Copper, Stainless Steel
- ▶ **ETL Approved**

Overall Dimensions:
15.75"H x 2.95"W x 2.95"D

Maximum Height: 15.75"
Width: 2.95"
Maximum Depth: 2.95"

Weight: 0.60 lbs
Approximate Wire Length: 14.0"
Box Dimensions:
17.00"H x 3.19"W x 3.19"D

MODEL NUMBER	LAMP TYPE	ILLUMINANT TYPE	WATTS (W)	VOLTS (V)	LAMP(S) INCLUDED?
LV63-BS	JC	HALOGEN	20	12	YES
LV-LED63-BS	JC-LED	LED	2.5	12	YES
LV63-CP	JC	HALOGEN	20	12	YES
LV-LED63-CP	JC-LED	LED	2.5	12	YES
LV63-SS	JC	HALOGEN	20	12	YES
LV-LED63-SS	JC-LED	LED	2.5	12	YES

Pre-wired with UL Listed Direct Burial Wire/Cable



DABMAR LIGHTING INCORPORATED

320 Graves Ave . Oxnard, CA 93030 . 805.604.9090 . f: 805.604.9050 . www.dabmar.com