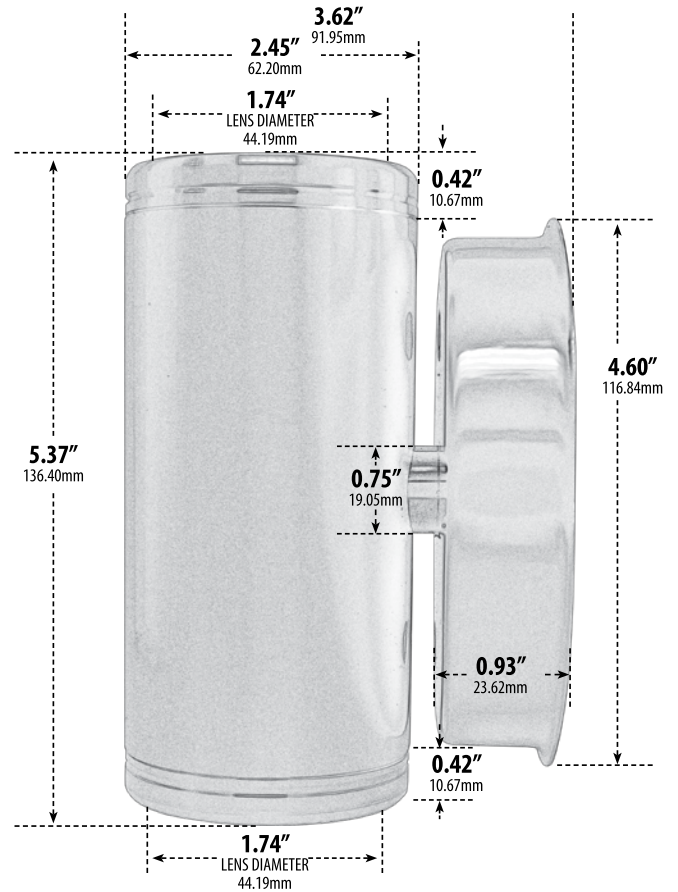


LV65-SS

SURFACE MOUNT UP AND DOWN LIGHT



- ▶ **Material:** Stainless Steel
- ▶ **Lens:** Clear, Heat Resistant, Tempered Glass
- ▶ **Lamp:** MR16 Bi-Pin Base (2 x 20W Maximum) Available in 27K or 65K (LED)

MODEL NUMBER	LAMP TYPE	ILLUMINANT TYPE	WATTS (W)	VOLTS (V)	LAMP(S) INCLUDED?
LV65-SS	MR16	HALOGEN	2 x 20	12	YES
LV65-LED3-SS	MR16-LED	LED	2 x 3	12	YES
LV65-LED5-SS	MR16-LED	LED	2 x 5	12	YES
LV65-LED7-SS	MR16-LED	LED	2 x 7	12	YES
LV65-LED4-RGBW-SS	MR16-LED	LED	2 x 4	12	YES

- ▶ **Available Finish:** Stainless Steel
- ▶ **RGBW Lamp Requires/Remote:** P-RMT-MR16-LED-4W-MC (sold separately)
- ▶ **Connector Available:** P-CN01 (sold separately)
- ▶ **ETL Approved**

Overall Dimensions:
5.37"H x 4.60"W x 3.62"D

Weight: 3.60 lbs
Approximate Wire Length: 5"
Box Dimensions:
3.75"H x 5.75"W x 3.38"D
Lamps Included

DABMAR
LIGHTING

DABMAR LIGHTING INCORPORATED

320 Graves Ave . Oxnard, CA 93030 . 805.604.9090 . f: 805.604.9050 . www.dabmar.com
4693 19th Street Ct E . Bradenton, FL 34203