

P-11-2

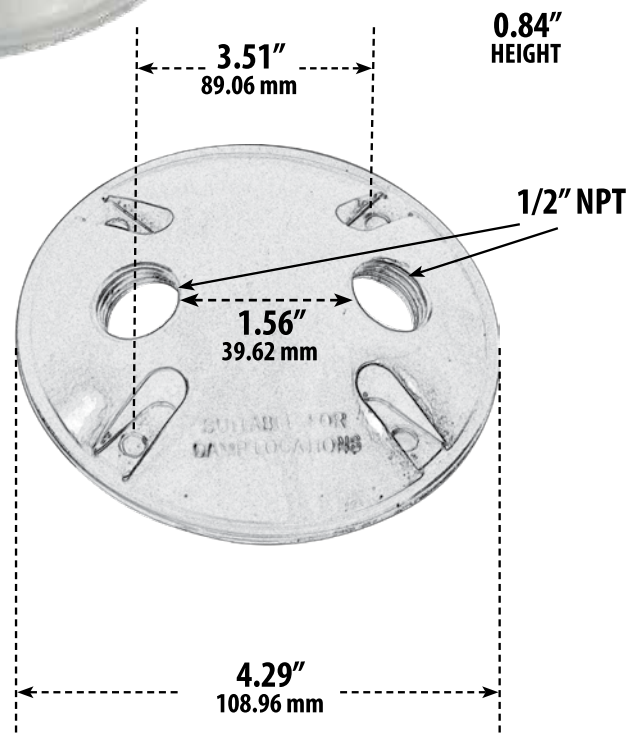
FEMALE BOX COVER



- **Material:** Powder Coated Cast Aluminum
- **Two 1/2" NPT**
- **Available Finish:** Black, Bronze, Gray

Overall Dimensions:
0.84"H x 4.29"W x 4.29"D

Weight: 3.2 oz
Box Dimensions: N/A



DABMAR
LIGHTING

DABMAR LIGHTING INCORPORATED
320 Graves Ave . Oxnard, CA 93030 . 805.604.9090 . f: 805.604.9050 . www.dabmar.com
4693 19th Street Ct E . Bradenton, FL 34203