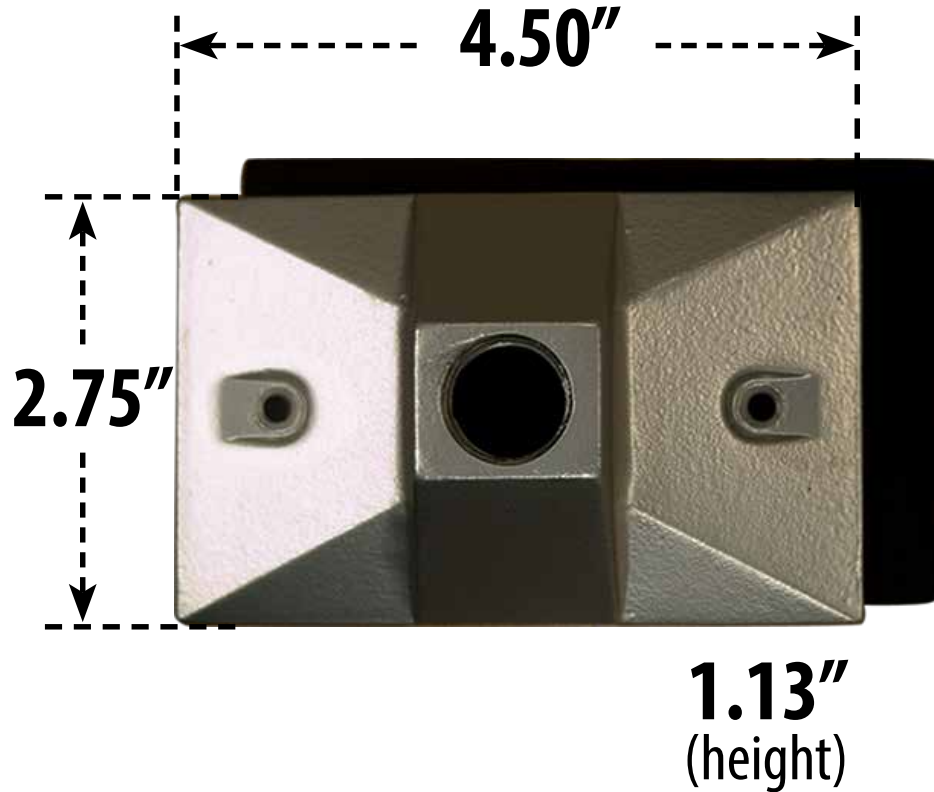


P-12

FEMALE BOX COVER



- ▶ **Material:** Powder Coated Cast Aluminum
- ▶ **1/2" NPT**
- ▶ **Available Finish:** Gray

Overall Dimensions:
1.13"H x 4.50"W x 2.75"D

Weight: 2.3 oz

DABMAR
L I G H T I N G

DABMAR LIGHTING INCORPORATED

320 Graves Ave . Oxnard, CA 93030 . 805.604.9090 . f: 805.604.9050 . www.dabmar.com