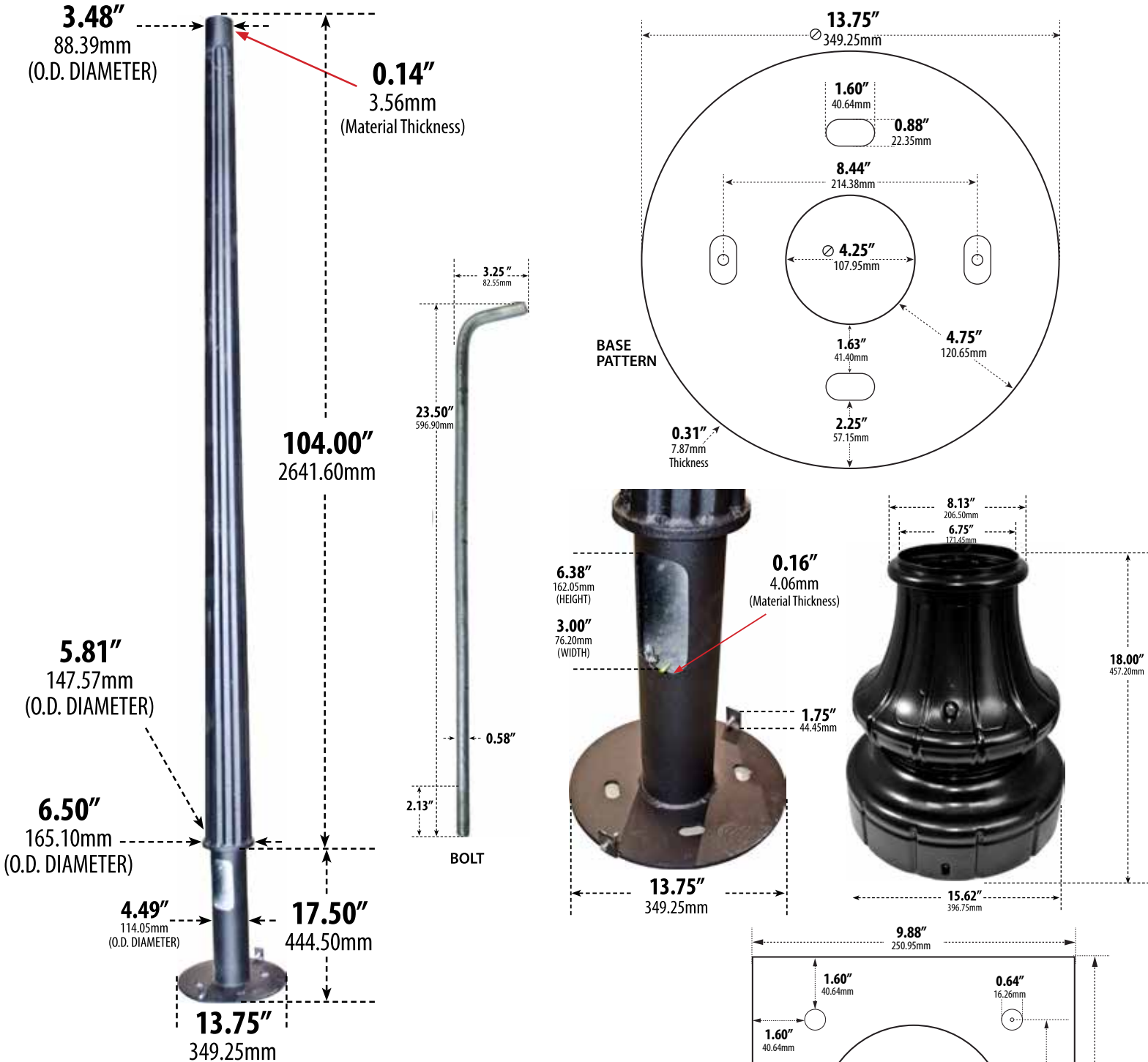


PT-10BASE-FL

SURFACE MOUNTED POST



ALL POLES AND POSTS ARE POWDER COATED

MODEL NUMBER	POLE HEIGHT	POLE DIAMETER	POLE MATERIAL	AVAILABLE FINISH
PT-10BASE-FL	10'	3.48" O.D.	Galvanized Steel	B, VG

Weight: 73 lbs

DABMAR
LIGHTING

DABMAR LIGHTING INCORPORATED

2140 Eastman Ave . Oxnard, CA 93030 . 805.604.9090 . f: 805.604.9050 . www.dabmar.com