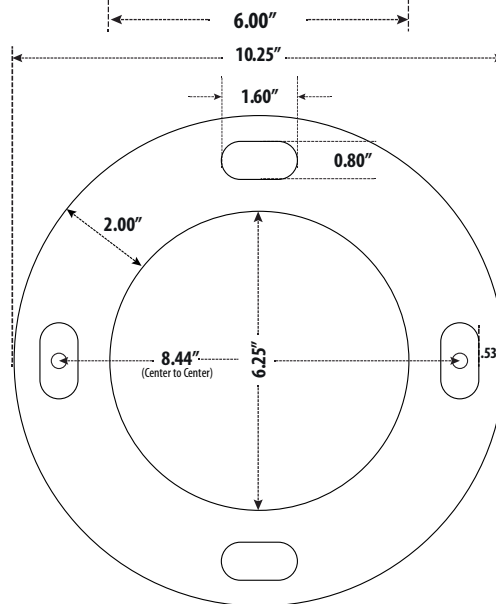
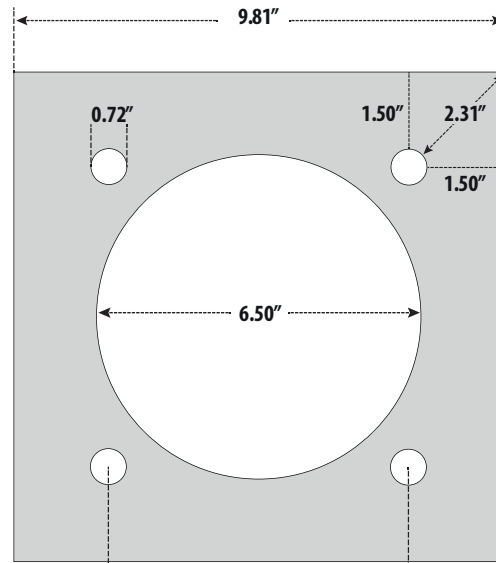
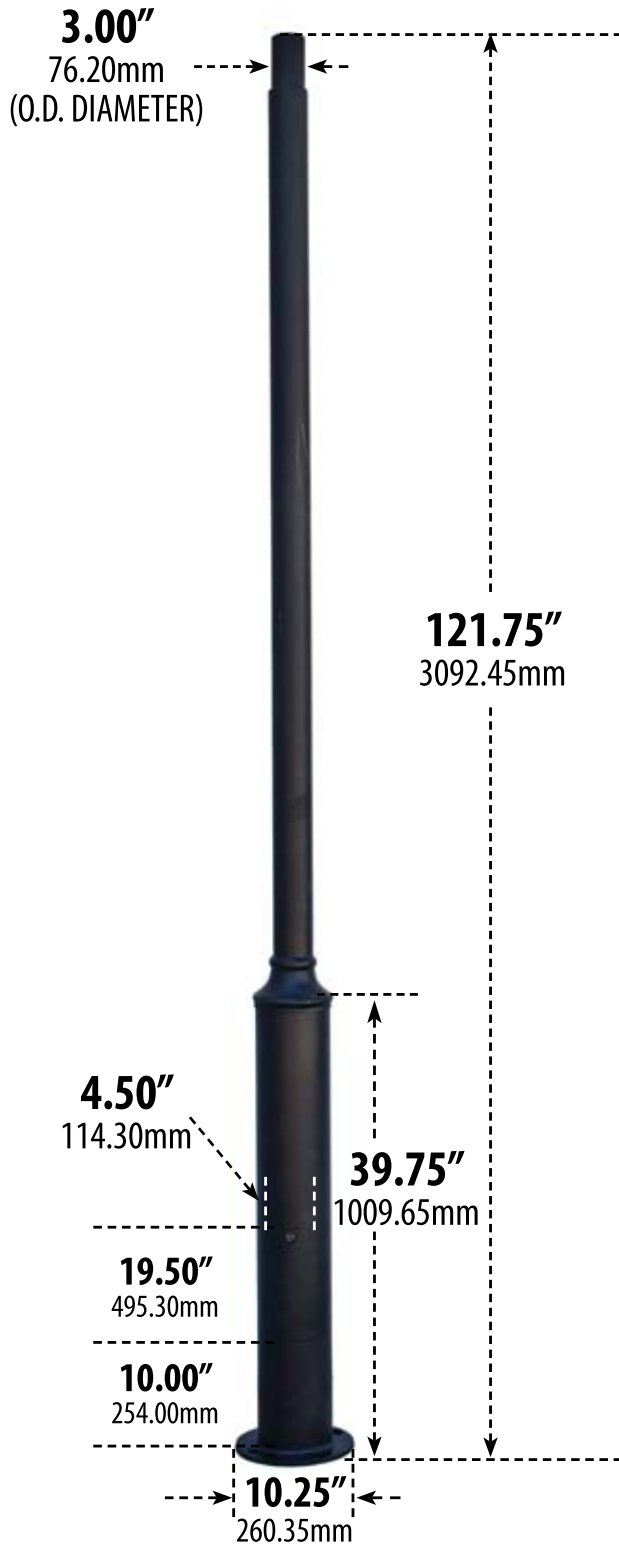
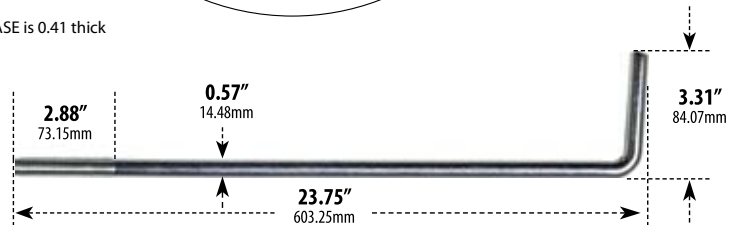


PT-10BASE

SURFACE MOUNTED POST



BASE IS 0.41 THICK



ALL POLES AND POSTS ARE POWDER COATED

MODEL NUMBER	POLE HEIGHT	POLE DIAMETER	POLE MATERIAL	AVAILABLE FINISH
PT-10BASE	10'	3" O.D.	Galvanized Steel	B, BZ, VG

Weight: 61.78 lbs

DABMAR
LIGHTING
DABMAR LIGHTING INCORPORATED