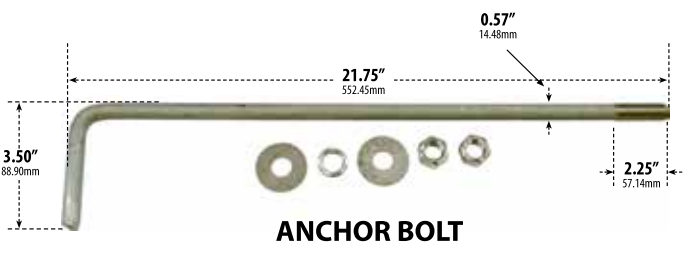
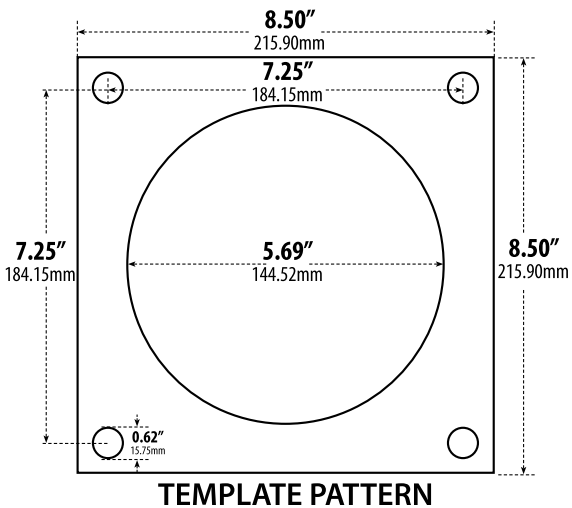
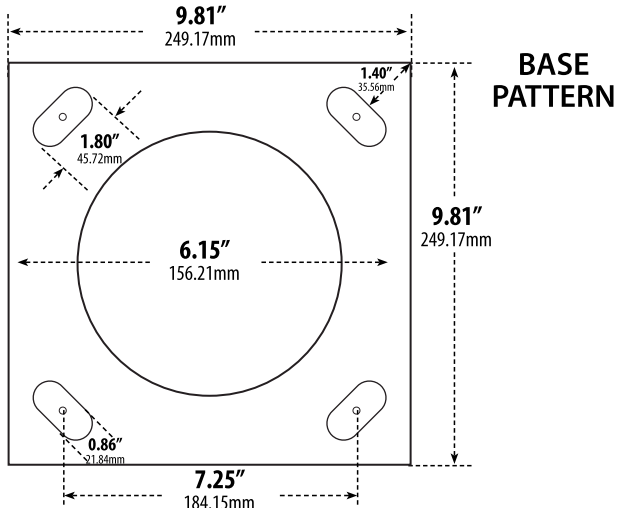


PT-13 BASE-FL (NEW)

SURFACE MOUNTED POST



ALL POLES AND POSTS ARE POWDER COATED

MODEL NUMBER	POLE HEIGHT	POLE DIAMETER	POLE MATERIAL	AVAILABLE FINISH
PT-13BASE-FL	13'	3.00" O.D.	Galvanized Steel	B, BZ, VG

PT-13-BASE-FL WEIGHT: 83.62 lbs.
 PT-13-BASE-FL WEIGHT: POST - 68 lbs. Cover & Hardware - 15.62 lbs.

Plate Thickness: 10mm



DABMAR LIGHTING INCORPORATED

320 Graves Ave . Oxnard, CA 93030 . 805.604.9090 . f: 805.604.9050 . www.dabmar.com
 4693 19th Street Ct E . Bradenton, FL 34203