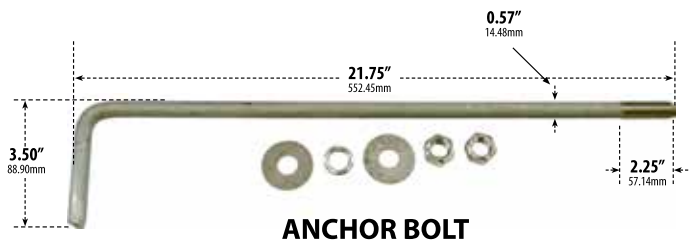
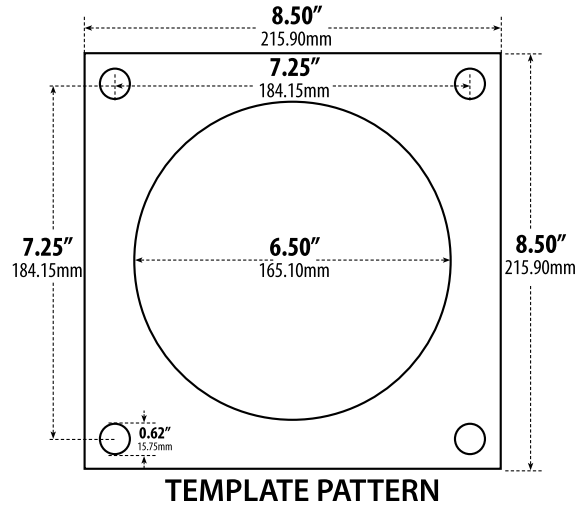
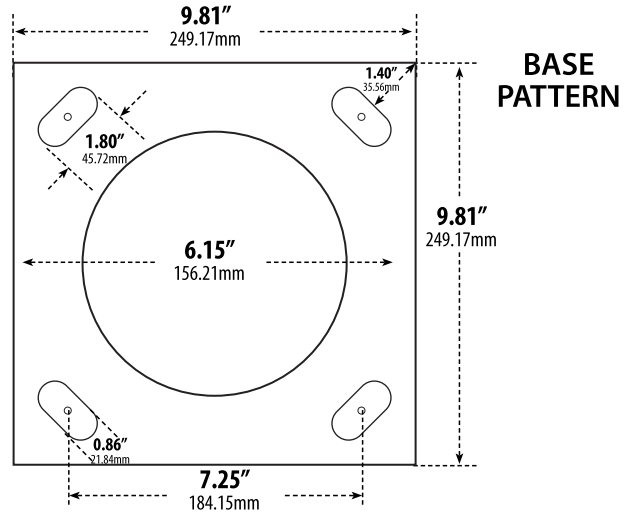


PT-9BASE-FL (NEW)

SURFACE MOUNTED POST



ALL POLES AND POSTS ARE POWDER COATED

MODEL NUMBER	POLE HEIGHT	POLE DIAMETER	POLE MATERIAL	AVAILABLE FINISH
PT-9BASE-FL	10'	3.00" O.D.	Galvanized Steel	B, BZ, VG

PT-9BASE-FL WEIGHT: 58 lbs. + HARDWARE: 73.62 lbs

Plate Thickness: 10mm

DABMAR
LIGHTING

DABMAR LIGHTING INCORPORATED

320 Graves Ave . Oxnard, CA 93030 . 805.604.9090 . f: 805.604.9050 . www.dabmar.com
4693 19th Street Ct E . Bradenton, FL 34203