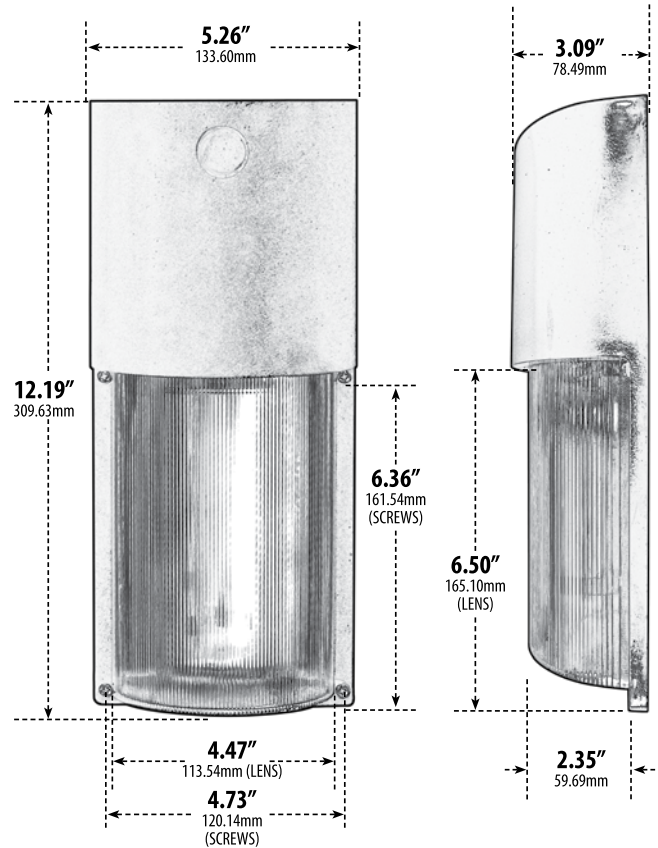


W2003

SURFACE MOUNTED WALL FIXTURE



Overall Dimensions:
5.26"W x 12.19"H x 3.09"D

Maximum Height: 12.19"
Width: 5.26"
Maximum Depth: 3.09"

Weight: 2.6 lbs
Approximate Wire Length: 9.00"
Box Dimensions: 5.78"W x 12.50"H x 3.53"D

- ▶ **Material:** Polycarbonate
- ▶ **Lens:** Clear, Ribbed, Heat Resistant, Polycarbonate Lens
- ▶ **Available Finish:** Bronze, White
- ▶ **ETL Approved**

MODEL NUMBER	LAMP TYPE	ILLUMINANT TYPE	WATTS (W)	VOLTS (V)	LAMP(S) INCLUDED?
W2003	PL13	Fluorescent	13	120	YES
W2003-LED5	PL-LED	LED	5	85-265	YES
W2004	2 x PL13	Fluorescent	2 x 13	120	YES
W2004-LED5	2 x PL-LED	LED	2 x 5	85-265	YES

Photo Control Option Available (sold separately)

LED Available in 30K or 45K

DABMAR
LIGHTING

DABMAR LIGHTING INCORPORATED

320 Graves Ave . Oxnard, CA 93030 . 805.604.9090 . f: 805.604.9050 . www.dabmar.com