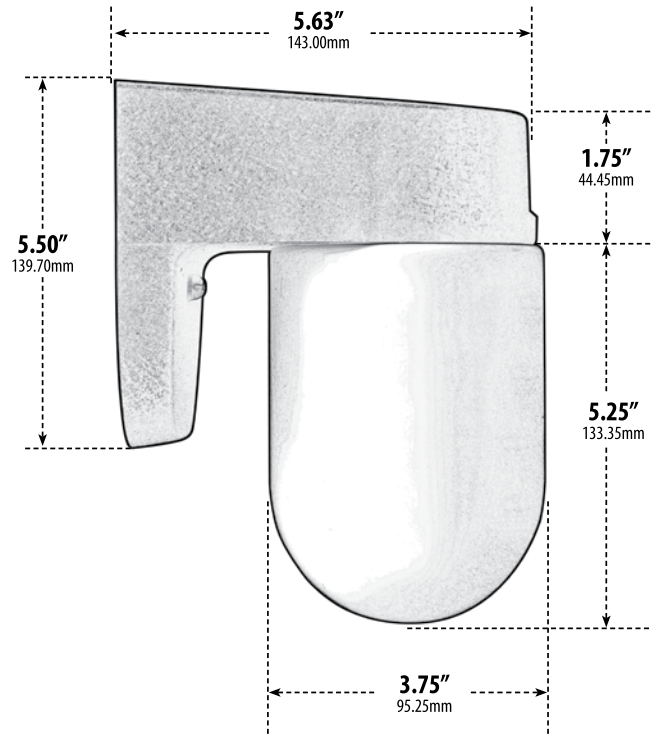


W2250

SURFACE MOUNTED WALL FIXTURE



Overall Dimensions:
3.75"W x 7.00"H x 5.63"D

Maximum Height: 7.00"
Width: 3.75"
Maximum Depth: 5.63"

Weight: 0.6 lbs
Approximate Wire Length: 8.00"
Box Dimensions: NO BOX

- ▶ **Material:** Polycarbonate
- ▶ **Lens:** White, Heat Resistant, Round, Polycarbonate Jar
- ▶ **Available Finish:** Black, White
- ▶ **ETL Approved**

MODEL NUMBER	LAMP TYPE	ILLUMINANT TYPE	WATTS (W)	VOLTS (V)	LAMP(S) INCLUDED?
W2250	A-Type	Incandescent	60	120	NO
W2250-LED9	G24-LED	LED	9	85-265	YES
W2250-LED12	G24-LED	LED	12	120-277	YES
W2350	PL5	Fluorescent	5	120	YES
W2450	PL7	Fluorescent	7	120	YES
W2550	PLQ9	Fluorescent	9	120	YES
W2650	PLQ13	Fluorescent	13	120	YES
W2651	S13-GU24	Fluorescent	13	120	YES

Replacement White Jar: P-GLB-507 (sold separately)

Photo Control Option Available (sold separately)

LED Available in Warm or Cool White

DABMAR
LIGHTING

DABMAR LIGHTING INCORPORATED

320 Graves Ave . Oxnard, CA 93030 . 805.604.9090 . f: 805.604.9050 . www.dabmar.com
4693 19th Street Ct E . Bradenton, FL 34203