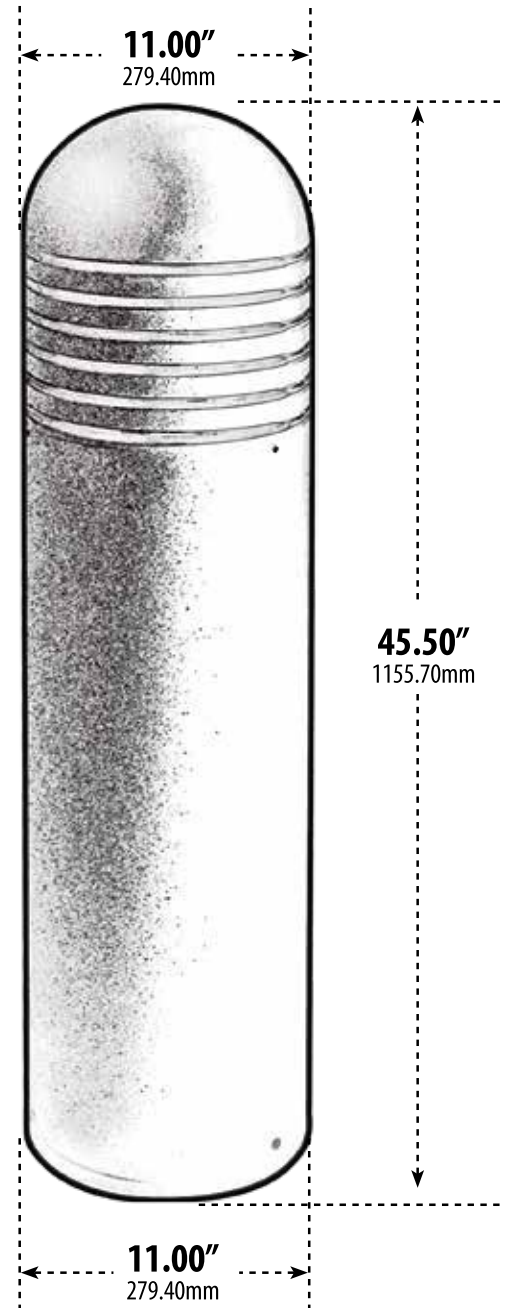


D500

PATH, WALKWAY, DRIVEWAY and ENTRANCE AREA BOLLARD



- ▶ **Material:** Powder Coated Steel
- ▶ **Lens:** Clear, Heat Resistant, Tempered Glass Lens
- ▶ **Available Finish:** Black, Bronze, Verde Green
- ▶ **ETL Approved**

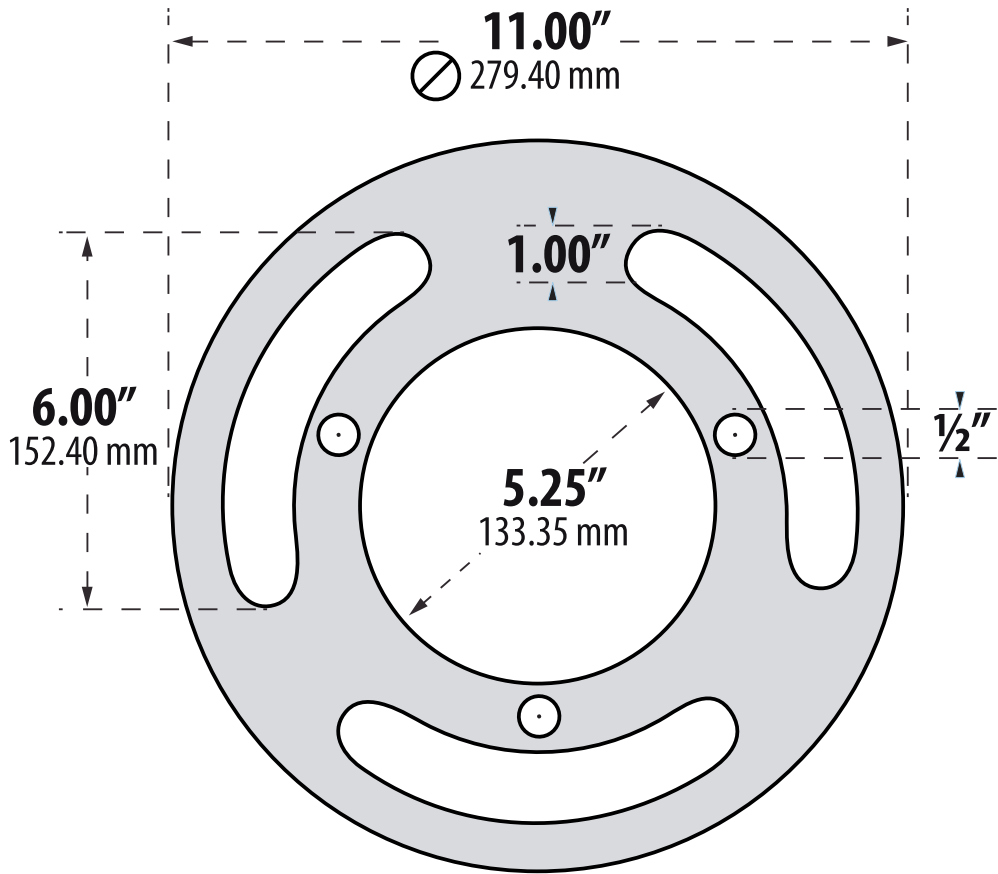
DABMAR
LIGHTING

DABMAR LIGHTING INCORPORATED

320 Graves Ave . Oxnard, CA 93030 . 805.604.9090 . f: 805.604.9050 . www.dabmar.com

4693 19th Street Ct E . Bradenton, FL 34203

BASE PATTERN



Mounting hardware not included

Model Number	Illuminant Type	Base Type	Wattage (W)	Volatage (V)	Color Temp.	Lamp(s) Included
D500	Incandescent	E26	60W (MAX)	120V	N/A	No
D500-L6-30K	LED	E26	6W	120V	30K	Yes
D500-L6-60K	LED	E26	6W	120V	60K	Yes
D500-L6-RGBW	LED	E26	6W	86V-265V	RGBW	Yes
D500-L9-27K	LED	GU24	9W	120V	27K	Yes
D500-L9-40K	LED	GU24	9W	120V	40K	Yes
D500-L12-30K	LED	G24	12W	120V-277V	30K	Yes
D500-L12-50K	LED	G24	12W	120V-277V	50K	Yes
D500-L20-30K	LED	G24	20W	120V-277V	30K	Yes
D500-L20-50K	LED	G24	20W	120V-277V	50K	Yes

Overall Dimensions:
11.00"W x 45.50"H x 11.00"D

Maximum Height: 45.50"

Width: 11.00"

Maximum Depth: 11.00"

Weight: 66.7 lbs

Box Dimensions: 12.63"W x 46.75"H x 12.63"D

Available Finish: Black, Bronze, Verde Green



DABMAR LIGHTING INCORPORATED

320 Graves Ave . Oxnard, CA 93030 . 805.604.9090 . f: 805.604.9050 . www.dabmar.com

4693 19th Street Ct E . Bradenton, FL 34203