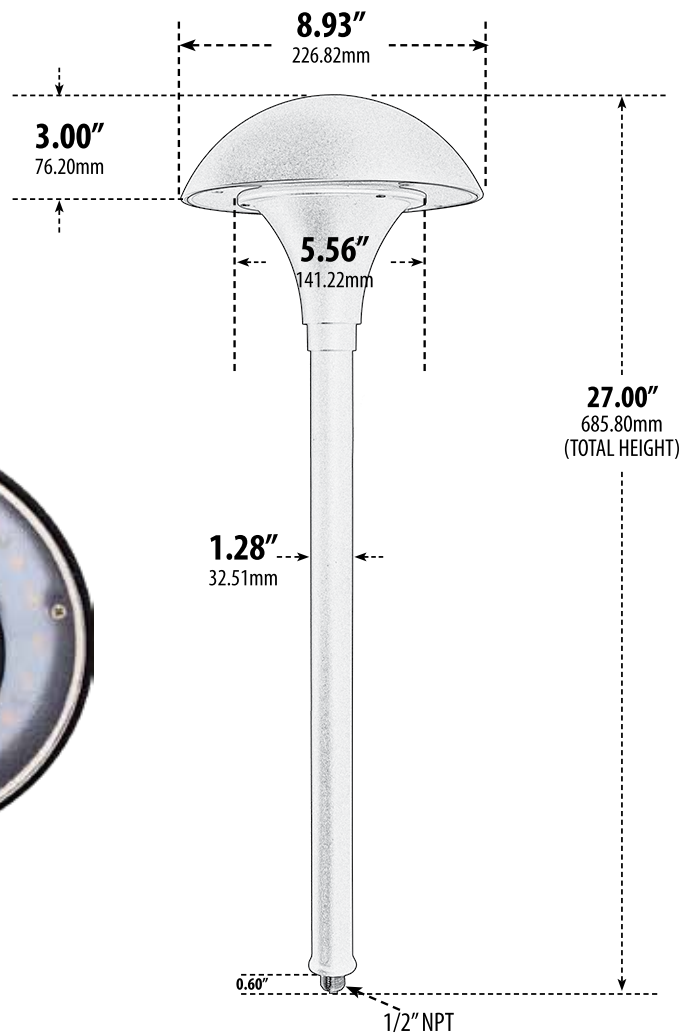


# D5606

## PATH, WALKWAY AND AREA LIGHT



- ▶ **Material:** Powder Coated Cast Aluminum
- ▶ **Lens:** Clear Crinkled Plastic Diffuser
- ▶ **Lamp:** LED Board

MODEL NUMBER	LAMP TYPE	ILLUMINANT TYPE	WATTS (W)	VOLTS (V)	LAMP(S) INCLUDED?
D5606	LED BOARD	SMD LED	6	120	YES

Pre-wired with UL Listed Direct Burial Wire/Cable

- ▶ **1/2" NPT**
- ▶ **Color Temperature:** 4000K
- ▶ **Lumens:** 320Lm
- ▶ **Ground Spike Available (LV-S6)** (sold separately)
- ▶ **Available Finish:** Black, Bronze, Verde Green
- ▶ **ETL Approval Pending**

Overall Dimensions:  
27.00"H x 8.93"W x 8.93"D

Weight: 4.60 lbs  
Approximate Wire Length: 17"  
Box Dimensions:  
00.00"H x 0.00"W x 0.00"D

**DABMAR**  
LIGHTING

DABMAR LIGHTING INCORPORATED

320 Graves Ave . Oxnard, CA 93030 . 805.604.9090 . f: 805.604.9050 . www.dabmar.com  
4693 19th Street Ct E . Bradenton, FL 34203