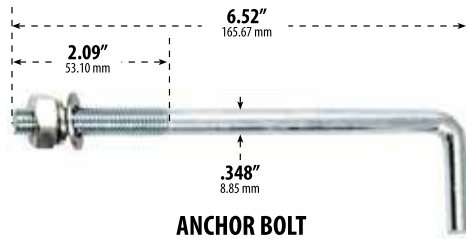
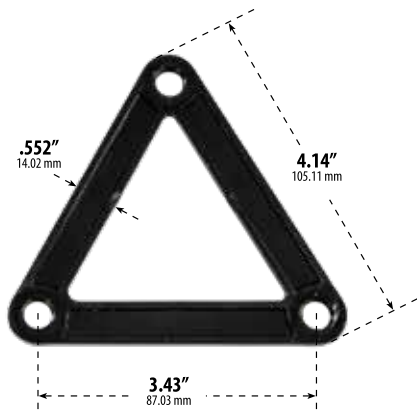


D860-LB20-40K

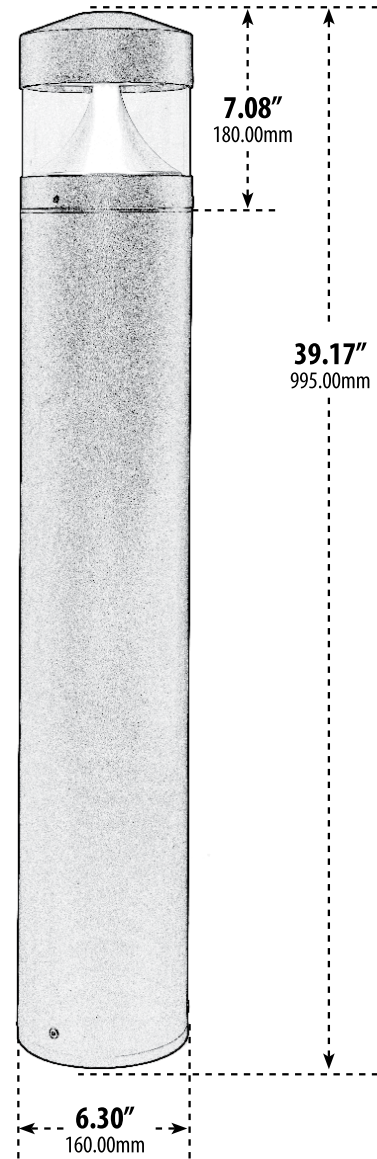
PATH, WALKWAY, DRIVEWAY and ENTRANCE AREA BOLLARD



ANCHOR BOLT



TEMPLATE



Overall Dimensions:
6.30"W x 39.17"H x 6.30"D

Maximum Height: 39.17"
Width: 6.30"
Maximum Depth: 6.30"

Weight: 10lbs 8oz (FIXTURE), 12lbs 8oz (wBOX)
Box Dimensions: 40.00"L x 6.75"W x 7.00"H

- ▶ **Material:** Powder Coated Cast Aluminum
- ▶ **Lens:** Clear, Heat Resistant, PC Diffuser
- ▶ **Available Finish:** Black, Bronze, Verde Green
- ▶ **Lumens:** 1107Lm
- ▶ **Color Temperature:** 4000K
- ▶ ETL Approved for wet location

Model Number	Illuminant Type	Base Type	Wattage (W)	Volatage (V)	Color Temp.	Lamp(s) Included
D860-LB20-40K	LED	LED Board	20W	120V-277V	40K	Yes



DABMAR LIGHTING INCORPORATED

320 Graves Ave . Oxnard, CA 93030 . 805.604.9090 . f: 805.604.9050 . www.dabmar.com
4693 19th Street Ct E . Bradenton, FL 34203