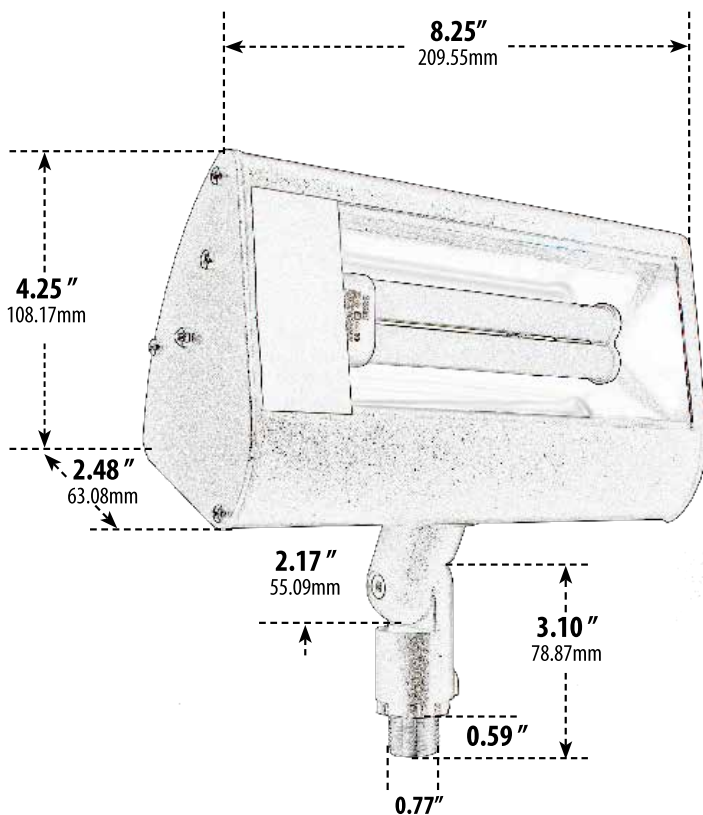


DF-LED5970

AREA FLOOD LIGHT



- ▶ **Material:** Powder Coated Cast Aluminum
- ▶ **Lens:** Clear, Heat Resistant, Tempered Glass
- ▶ **Lamp:** PL5-LED 2-Pin

MODEL NUMBER	LAMP TYPE	ILLUMINANT TYPE	WATTS (W)	VOLTS (V)	LAMP(S) INCLUDED?
DF-LED5970	LED	LED	5	85-264	YES

- ▶ **Adjustable Knuckle with 1/2" NPT**
- ▶ **Available Color:** Black, Bronze, Sand, Verde Green
- ▶ **Ground Mounting Spikes:** LV-S6 (sold separately)
- ▶ **ETL Approval Pending**

Overall Dimensions:
7.75"H x 8.25"W x 5.00"D

Maximum Height: 8.25"
Minimum Height: 4.50"
Width: 8.25"
Maximum Depth: 7.25"
Minimum Depth: 4.50"

Weight: 2.00 lbs
Approximate Wire Length: 15.00"
Box Dimensions:
6.88"W x 8.50"H x 4.00"D



DABMAR LIGHTING INCORPORATED

320 Graves Ave . Oxnard, CA 93030 . 805.604.9090 . f: 805.604.9050 . www.dabmar.com
4693 19th Street Ct E . Bradenton, FL 34203