

# DF5801

## AREA FLOOD LIGHT



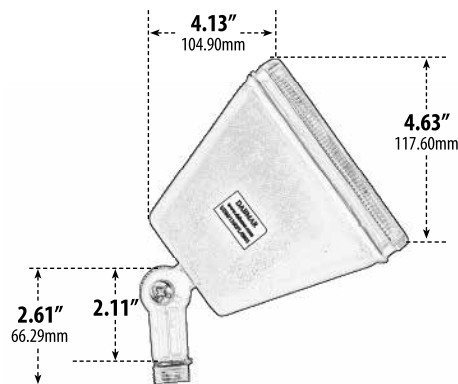
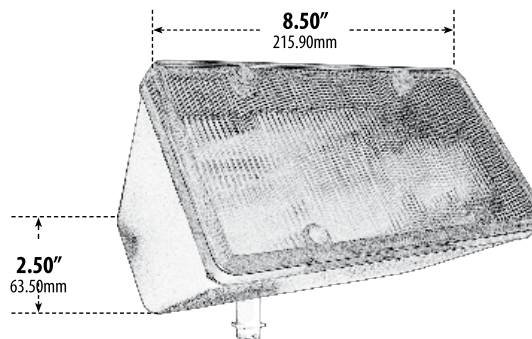
- ▶ **Material:** Polycarbonate
- ▶ **Lens:** Clear, Ribbed Polycarbonate
- ▶ **Lamp:** GU24 2-Pin

MODEL NUMBER	LAMP TYPE	ILLUMINANT TYPE	WATTS (W)	VOLTS (V)	LAMP(S) INCLUDED?
DF5801	S13-GU24	FLUORESCENT	13	120	YES
DF5851	S26-GU24	FLUORESCENT	26	120	YES
<b>DF5801-LED9</b>	<b>G24 2-PIN</b>	<b>48 LEDs</b>	<b>9</b>	<b>85-265</b>	<b>YES</b>

- ▶ **Adjustable Knuckle with 1/2" NPT**
- ▶ **Ground Mounting Spikes:** LV-S6 (sold separately)
- ▶ **Instant Start at Freezing Temperature**
- ▶ **Energy Star Light Bulb**
- ▶ **Available Color:** Black, Verde Green
- ▶ **ETL Approved**

Overall Dimensions: 7.00"H x 8.50"W x 6.00"D  
 Maximum Height: 8.00"  
 Minimum Height: 5.50"  
 Width: 8.50"  
 Maximum Depth: 6.00"  
 Minimum Depth: 4.50"

Weight: 2.40 lbs  
 Approximate Wire Length: 5.00"  
 Box Dimensions: 4.88"W x 9.00"H x 6.00"D



**DABMAR**  
L I G H T I N G

DABMAR LIGHTING INCORPORATED

320 Graves Ave . Oxnard, CA 93030 . 805.604.9090 . f: 805.604.9050 . www.dabmar.com  
 4693 19th Street Ct E . Bradenton, FL 34203