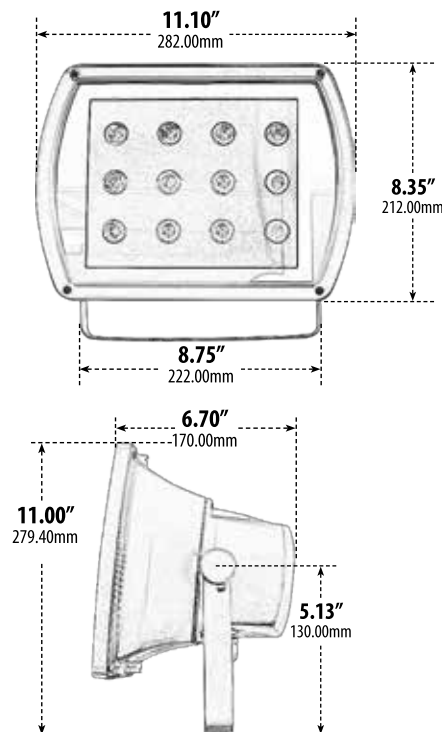


DF5955-LB12

LED FLOOD LIGHT



- ▶ **Material:** Powder Coated Cast Aluminum
- ▶ **Lens:** Clear, Heat Resistant, Tempered Glass
- ▶ **Lamp:** Integral LED Circuit Board
- ▶ **Color Temperature:** 6400K

Model Number	Illuminant Type	Base Type	Wattage (W)	Volatage (V)	Color Temp.	Lamp(s) Included
DF5955-LB12-64K	LED	LED Board	12W	120V	64K	Yes

- ▶ **Adjustable U-Shaped Bracket**
- ▶ **Available Color:** Black, Bronze, Verde Green
- ▶ **ETL Approval Pending**

Overall Dimensions:
11.00"H x 11.10"W x 6.70"D

Weight: 5.60 lbs
Approximate Wire Length: 32"
Box Dimensions:
8.25"H x 12.50"W x 10.50"D

DABMAR
LIGHTING

DABMAR LIGHTING INCORPORATED

320 Graves Ave . Oxnard, CA 93030 . 805.604.9090 . f: 805.604.9050 . www.dabmar.com
4693 19th Street Ct E . Bradenton, FL 34203